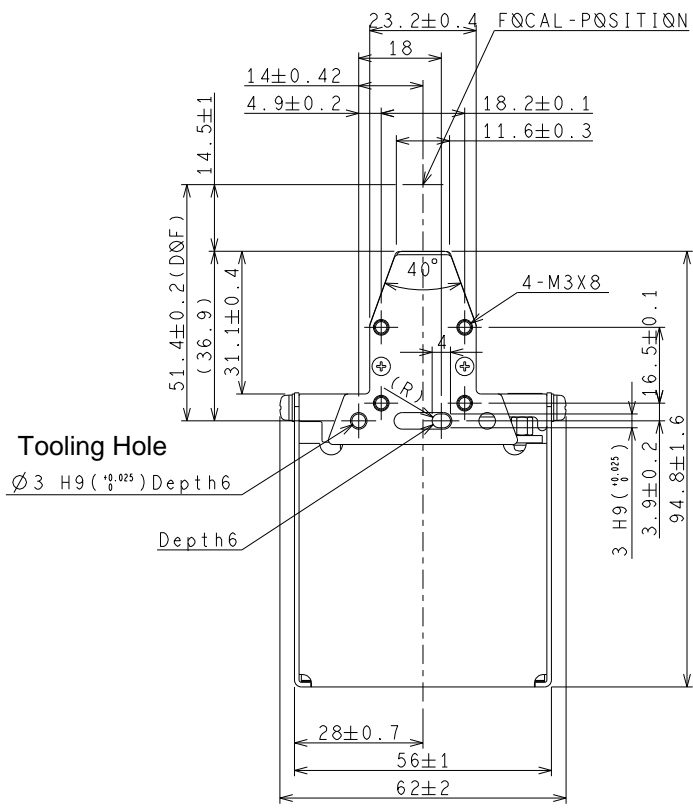


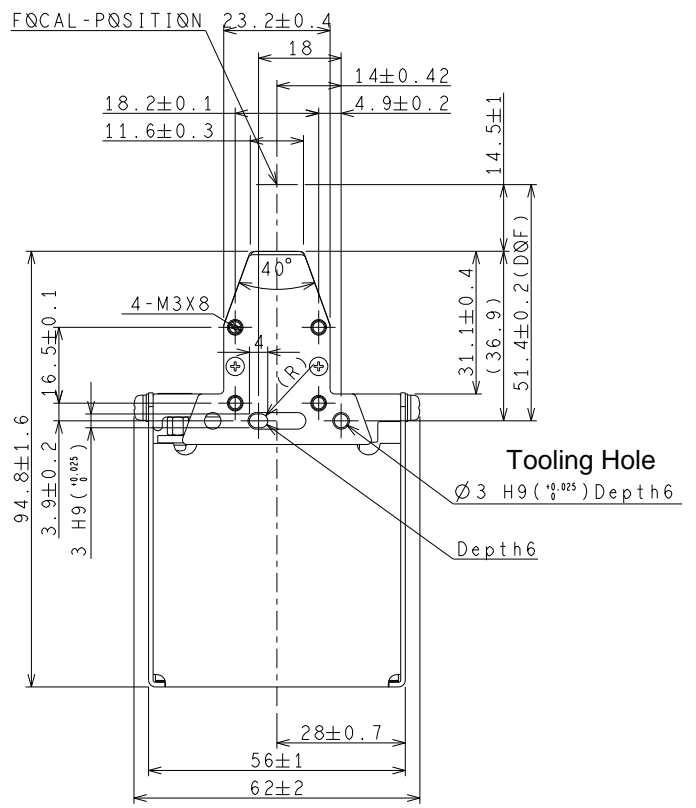
KD6R309MX-NL Outline drawing

1st

END



1st-side



End-side

Side view (common mechanism)