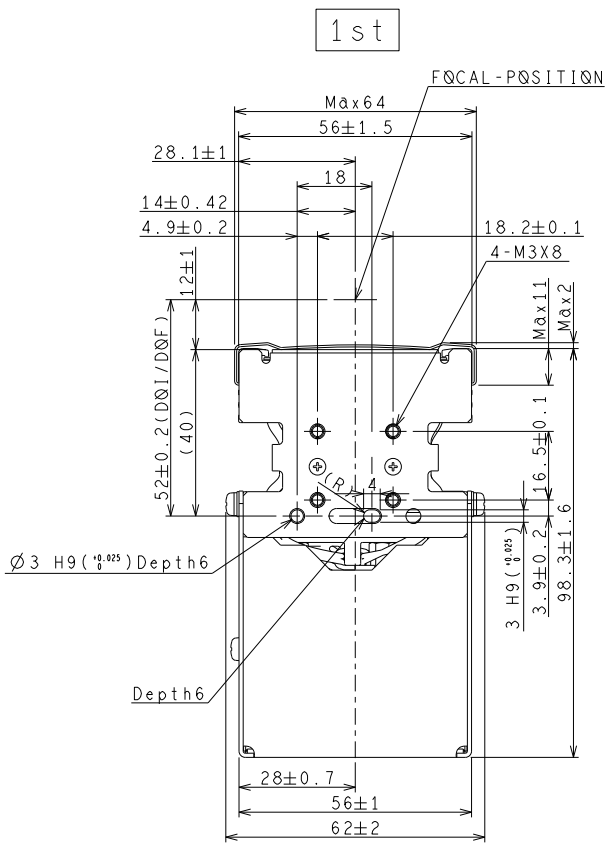
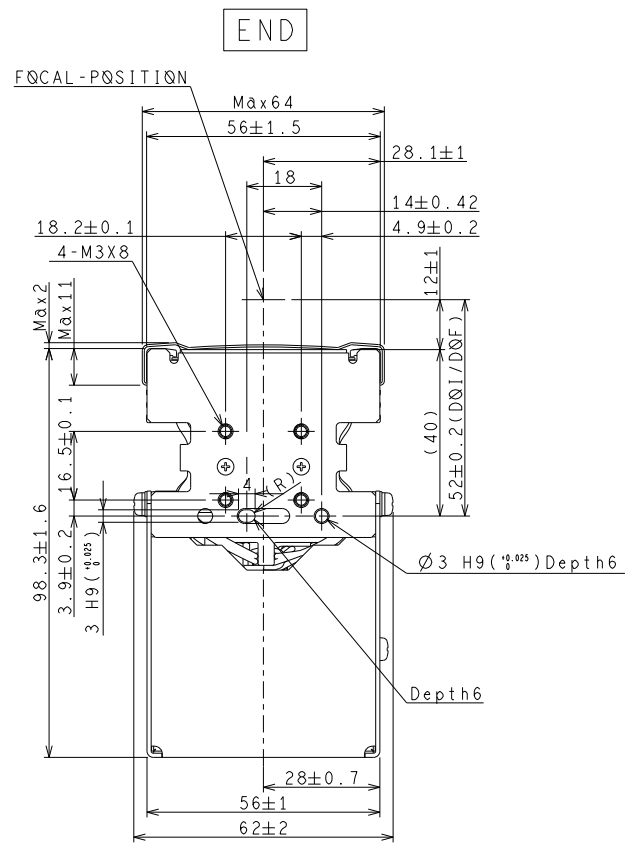


**KD6R617MX Outline drawing**



1st-side



End-side

Side view (common mechanism)