

### Appearance Change of the FR-HC2 Series General-Purpose Inverter Options

Thank you for your continued patronage of Mitsubishi Electric drive control products.  
 The appearance of the FR-HC2 series general-purpose inverter options will be changed to streamline the production process.

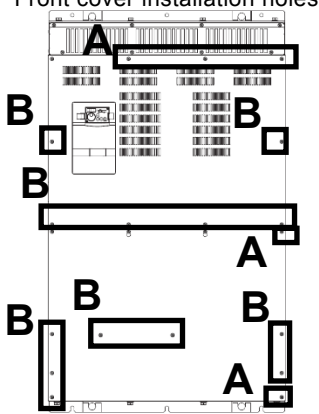
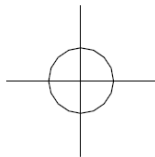
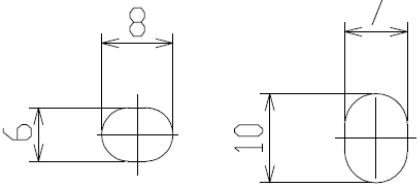
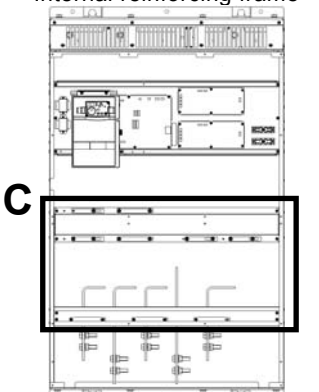
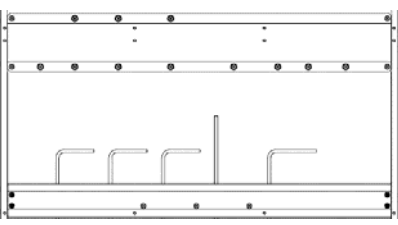
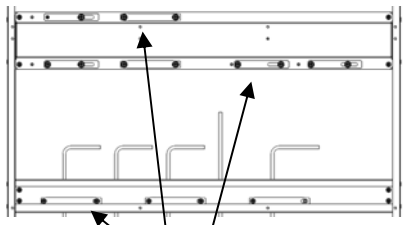
#### 1. Products Affected

FR-HC2-H400K, FR-HC2-H560K

#### 2. Details of the Change

The shapes of installation holes of the front cover will be changed, and metal strips will be attached on the internal reinforcing frame.

The change does not affect the quality, performance, or specifications of the products.

Change	Before	After
<p>Front cover installation holes</p> 	 <p>A and B 7 mm holes</p>	 <p>A 6 × 8 mm hole</p> <p>B 10 × 7 mm hole</p>
<p>Internal reinforcing frame</p> 	 <p>C No metal strips</p>	 <p>C Metal strips attached</p>

#### 3. Date of Change

The change will be sequentially applied to the products manufactured in March 2019 or later.

#### 4. Product Identification

The products can be identified visually.

<b>Date of issue</b>	February 2019	<b>Title</b>	Appearance Change of the FR-HC2 Series General-Purpose Inverter Options	Mitsubishi Electric Corp., Nagoya Works 5-1-14 Yada-minami, Higashi-ku, Nagoya 461-8670 Tel.: +81 (52) 721-2111 Main line
----------------------	---------------	--------------	---	---