

### Appearance Change of the FR-E7AT03 Optional Interchangeable Attachment for General-Purpose Inverters

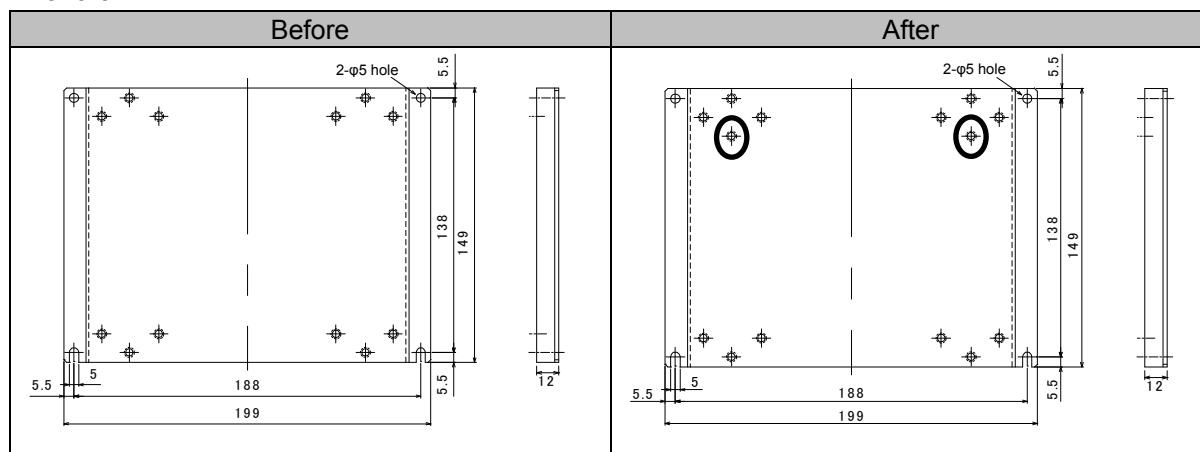
Thank you for your continued patronage of Mitsubishi Electric drive control products.  
The appearance of the FR-E7AT03 optional interchangeable attachment for general-purpose inverters will be changed so that it can be used with the FR-E820-3.7K.

#### 1. Products Affected

FR-E7AT03

#### 2. Details of the Change

Additional installation holes will be provided so that the FR-E7AT03 can be used with the FR-E820-3.7K.



#### 3. Date of Change

The change will be sequentially applied to the products manufactured in January 2020 or later.

#### 4. Product Identification

The products can be identified visually.

The product number on the rear of the product will be changed from "C150C490H02" to "C150C490H03".

<b>Date of issue</b>	December 2019	<b>Title</b>	Appearance Change of the FR-E7AT03 Optional Interchangeable Attachment for General-Purpose Inverters	Mitsubishi Electric Corp., Nagoya Works 5-1-14 Yada-minami, Higashi-ku, Nagoya 461-8670 Tel.: +81 (52) 721-2111 Main line
----------------------	---------------	--------------	--	---