

Sales and Service

Caution Plate Change of Direct Drive Motors

Thank you for your continued patronage of the Mitsubishi Electric AC servo system. The caution plate of the direct drive motors will be changed as follows. This change does not affect the functions and performance of the products.

1. Target Model

Direct drive motor TM-RFM series
 TM-RG2M series
 TM-RU2M series

2. Reason for the Change

To standardize the components

3. Details of the Change

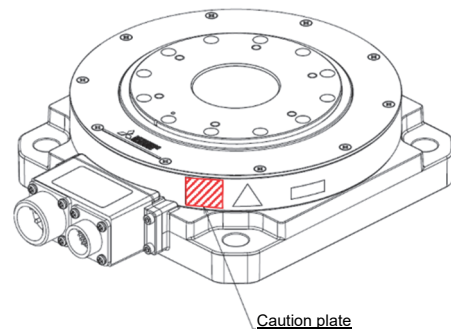
The caution plate of the direct drive motors mentioned in section 1 will be changed as follows.

Description

Details of the change	Before	After
Appearance		

The caution plate will be attached to the area marked in red of the right figure.

Example) TM-RG2M series
 TM-RU2M series



4. Schedule

This change will be made sequentially from the June 2021 production.

Note that, depending on the stock status, the products with both the former and new caution plates may be distributed in the market around the same time.

Date of issue	March 2021	Title	Caution Plate Change of Direct Drive Motors	Mitsubishi Electric Corp., Nagoya Works 1-14, Yada-minami 5-chome, Higashi-ku, Nagoya 461-8670 Tel.: +81 (52) 721-2111 Main line
----------------------	------------	--------------	---	--