

Change in the Shape of the Short-Circuit Connector for the CN8 Connector of AC Servo Amplifiers

Thank you for your continued patronage of the Mitsubishi Electric AC servo system. The shape of the short-circuit connector for the CN8 connector of AC servo amplifiers will be changed as follows. This change does not affect the functions and performance of the servo amplifiers.

1. Target Model

MR-J4, MR-J5

2. Reason for the Change

To facilitate the insertion and removal of the connectors near the CN8 connector

3. Details of the Change

The entire length of the short-circuit connector for the CN8 connector (standard accessory) will be 6.6 mm shorter.

The new connector can be removed with the same force as the conventional connector because the shape of the mating area will not be changed.

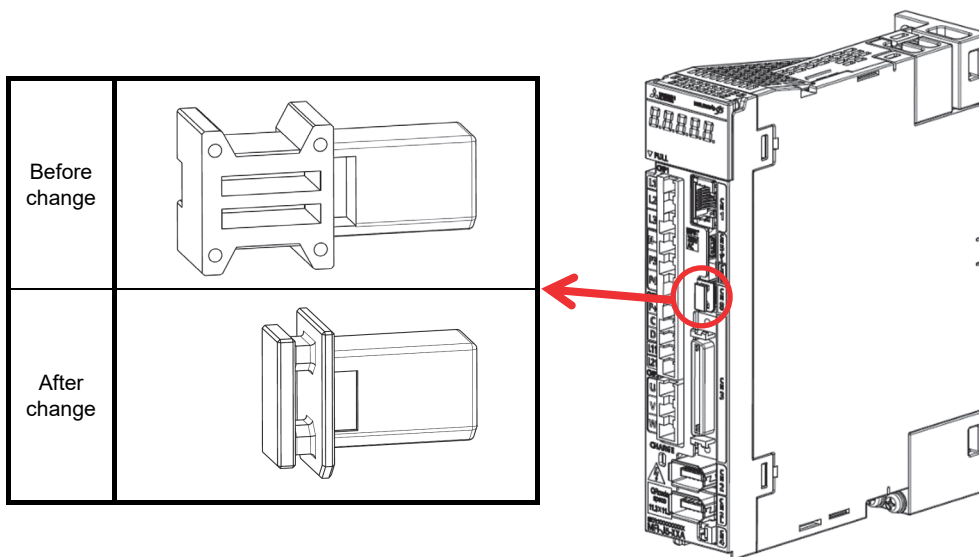


Figure 1. Shape of the short-circuit connector for the CN8 connector

4. Schedule

This change will be made sequentially from the August 2021 production.

Note that, depending on the stock status, the products with both the former and new shapes may be distributed in the market around the same time.

Date of issue	April 2021	Title	Change in the Shape of the Short-Circuit Connector for the CN8 Connector of AC Servo Amplifiers	Mitsubishi Electric Corp., Nagoya Works 1-14, Yada-minami 5-chome, Higashi-ku, Nagoya 461-8670 Tel.: +81 (52) 721-2111 Main line
----------------------	------------	--------------	-------------------------------------------------------------------------------------------------	----------------------------------------------------------------------------------------------------------------------------------------