

# Mitsubishi Motion Controller

## Sales and Service

No. 09-10E

### Shielding Plate Specification Change for the Motion Controllers

Thank you for your continued patronage of the Mitsubishi motion controllers and FA products. Shielding plate of the motion CPU module will be changed as shown below. We ask for your understanding in this matter.

Whereas

#### 1. Target Models and Schedule

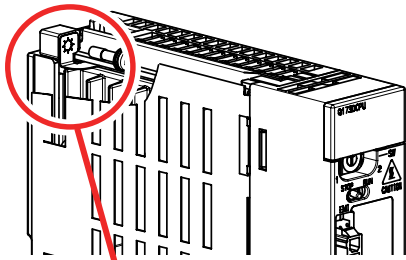
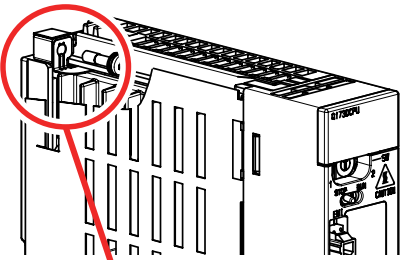
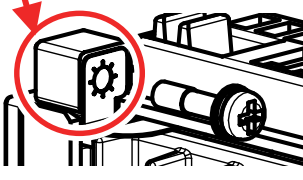
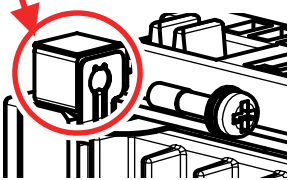
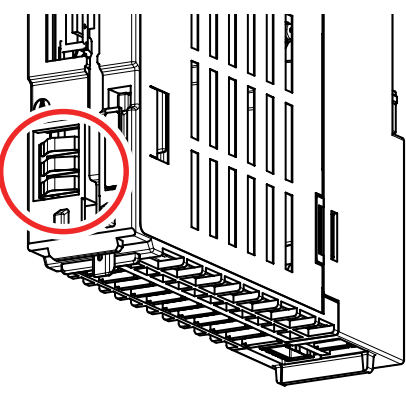
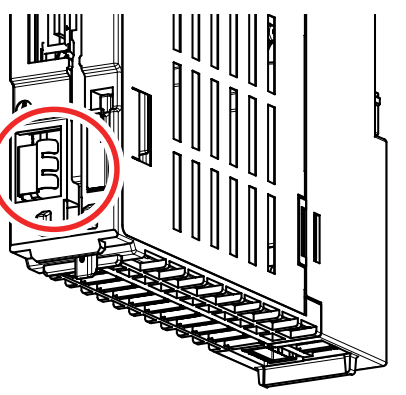
| Model                                    | Model name | Schedule  |
|--|------------|---|
| iQ Platform supporting Motion CPU module | Q173DCPU   | The change will be made sequentially from August 2009 production. |
|  | Q172DCPU   |   |

\*The change will be also made sequentially for the special models that are based on the above modules.

#### 2. Purpose

To improve the productivity

#### 3. Details of Change

| Item   | Before  | After   |
|--|---|---|
| Installation screw area of the shielding plate |   |    |
|  |  |  |
| FG spring area of the shielding plate          |  |   |

\*Above changes will not affect the function and performance of the motion CPU modules.

\*Changed and unchanged products can be identified by the shapes of the installation screw and FG spring area of the shielding plate.

|                      |             |              |   |   |
|----------------------|-------------|--------------|---|---|
| <b>Date of issue</b> | August 2009 | <b>Title</b> | Shielding Plate Specification Change for the Motion Controllers | Mitsubishi Electric Corp., Nagoya Works<br>5-1-14 Yada-minami, Higashi-ku, Nagoya 461-8670<br>Tel.: +81 (52) 721-2111 Main line |
|----------------------|-------------|--------------|---|---|