

Sales and Service

Production Discontinuation of large-capacity Battery Holders Q170M(S)BAT-SET and Release of Successor Models Q170M(S)BATN-SET

Thank you for your continued patronage of the Mitsubishi Electric servo system controllers.

Production of large-capacity battery holders Q170MBAT-SET and Q170MSBAT-SET for the Stand-Alone Motion controller will be discontinued along with production discontinuation of the large-capacity battery Q7BAT.

Q7BATN will be released as a successor model of the large-capacity battery Q7BAT.

For details, please refer to Mitsubishi Electric Technical Bulletin "Production discontinuation of Q7BAT and Q7BAT-SET" (FA-A-0272).

1. Schedule

Transition to made-to-order production: May 31, 2019

Order acceptance: Until August 31, 2019

Production discontinuation: September 30, 2019

2. Reasons for Discontinuation

We have difficulty in obtaining some components for the relevant models. Thus, we presume that the production of the models will not be continued smoothly.

3. Repair Support

A repair request is not accepted since the battery holders are resin-molded.

For a repair request for Q7BAT, please refer to "Mitsubishi Electric Technical Bulletin (FA-A-0272)".

4. Models to Be Discontinued

Large-capacity battery holders Q170MBAT-SET and Q170MSBAT-SET for the Stand-Alone Motion controller will be discontinued. Instead, Q170MBATN-SET and Q170MSBATN-SET will be newly released as successor models.

Please purchase Q170MBATN-SET or Q170MSBATN-SET if you need a new large-capacity battery after August 2019.

Table 1. Models to be discontinued and successor models

Product name	Model to be discontinued (with Q7BAT included)	Successor model (with Q7BATN included)	Reference
Large-capacity battery holder	Q170MBAT-SET	Q170MBATN-SET	Section 5
	Q170MSBAT-SET	Q170MSBATN-SET	Section 6

Note 1. The current battery holders Q170M(S)BAT-SET cannot be used for the successor battery Q7BATN. When using Q7BATN for the first time, please purchase Q170M(S)BATN-SET with Q7BATN included.

Note 2. The successor battery holders Q170M(S)BATN-SET cannot be used for the current battery Q7BAT. Please purchase spare products by August 31, 2019.

Date of issue	March 2019	Title	Production Discontinuation of large-capacity Battery Holders Q170M(S)BAT-SET and Release of Successor Models Q170M(S)BATN-SET	Mitsubishi Electric Corp., Nagoya Works 1-14, Yada-minami 5-chome, Higashi-ku, Nagoya 461-8670 Tel.: +81 (52) 721-2111 Main line
----------------------	------------	--------------	-------------------------------------------------------------------------------------------------------------------------------	----------------------------------------------------------------------------------------------------------------------------------------

5. Details of Successor Model (Q170MBATN-SET)

(1) Basic information

Table 1. Basic information of Q170MBATN-SET

Item	Description	Remark
Model name	Q170MBATN-SET	With Q7BATN included
Product name	Large-capacity battery holder	-
Target controllers	Q170MCPUCPU(-S1) (Stand-Alone Motion controller), MR-MQ100 (Single Axis Motion controller)	-
Order start date	May 7, 2019	-
Battery life	(Note)	No change in battery life
Dimensions	Refer to section 5.(2).	-
Installation procedure	Refer to section 5.(3).	-

Note. For details of the battery life, refer to the user's manuals of respective controller models.

- Q170MCPUCPU Motion Controller User's Manual (IB-0300156)
- MR-MQ100 User's Manual (IB-0300150)

(2) Dimensions

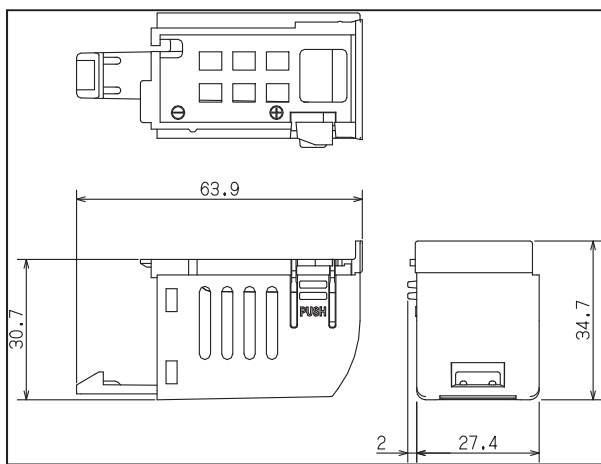


Figure 1. Dimensions of Q170MBAT-SET (current model)

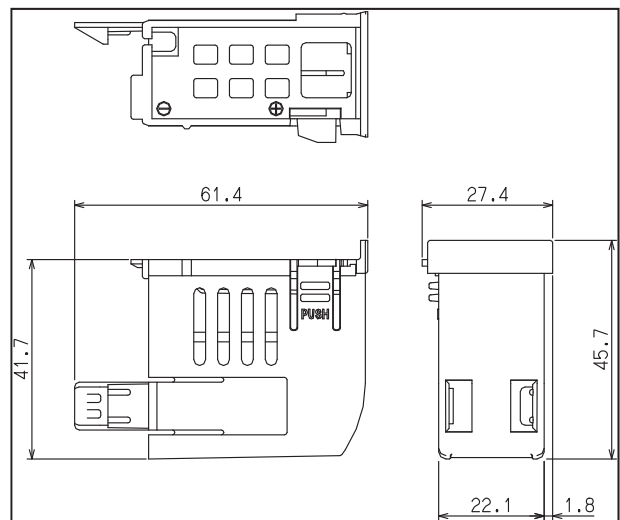


Figure 2. Dimensions of Q170MBATN-SET (successor model)

(3) Installation procedure

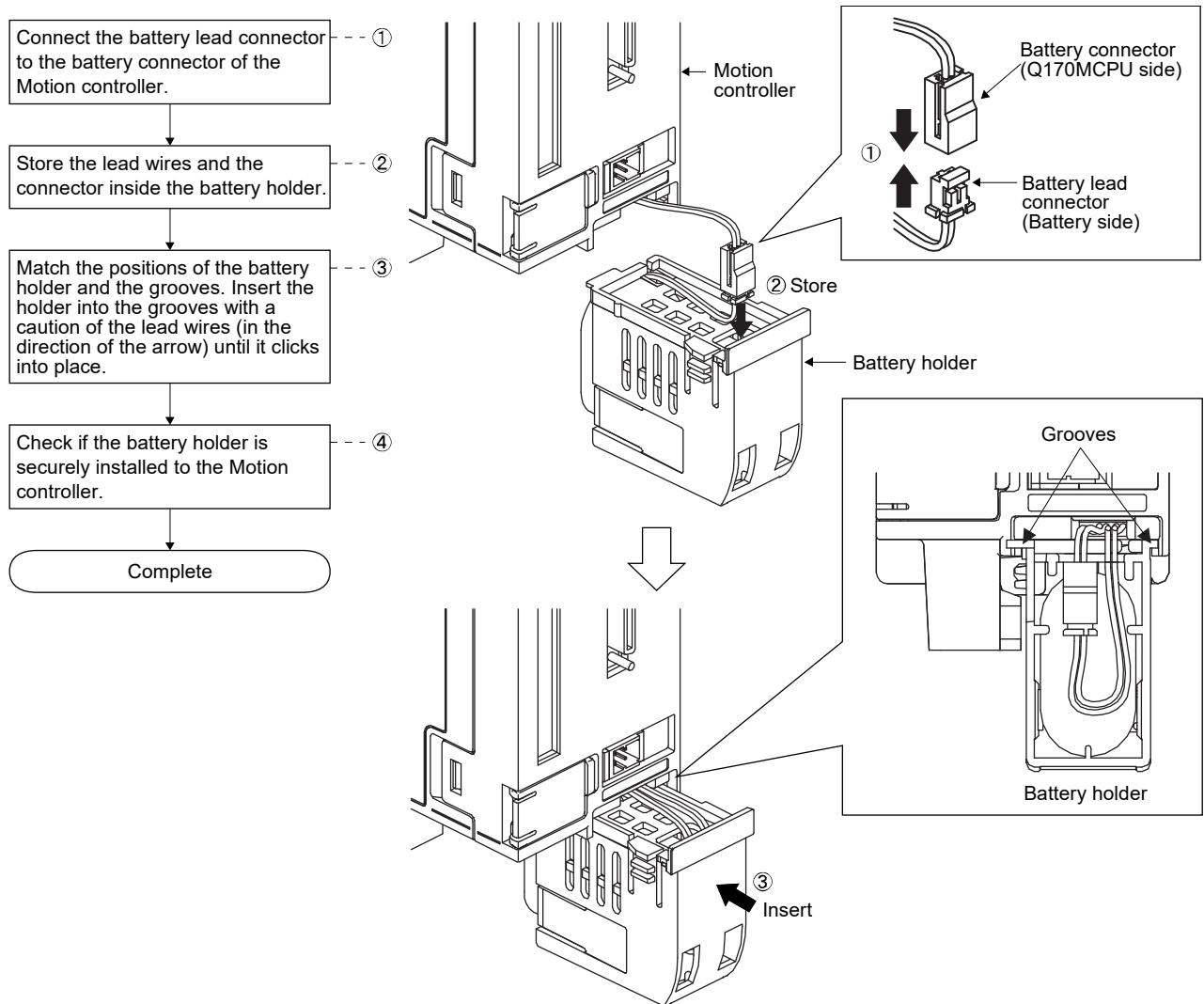


Figure 3. Installation procedure of Q170MBATN-SET

6. Details of Successor Model (Q170MSBATN-SET)

(1) Basic information

Table 2. Basic information of Q170MSBATN-SET

Item	Description	Remark
Model name	Q170MSBATN-SET	With Q7BATN included
Product name	Large-capacity battery holder	-
Target controller	Q170MSCPU(-S1) (Stand-Alone Motion controller)	-
Order start date	May 7, 2019	-
Battery life	(Note)	No change in battery life
Dimensions	Refer to section 6.(2).	-
Installation procedure	Refer to section 6.(3).	-

Note. For details of the battery life, refer to Q170MSCPU Motion Controller User's Manual.

▪ Q170MSCPU Motion Controller User's Manual (IB-0300212).

(2) Dimensions

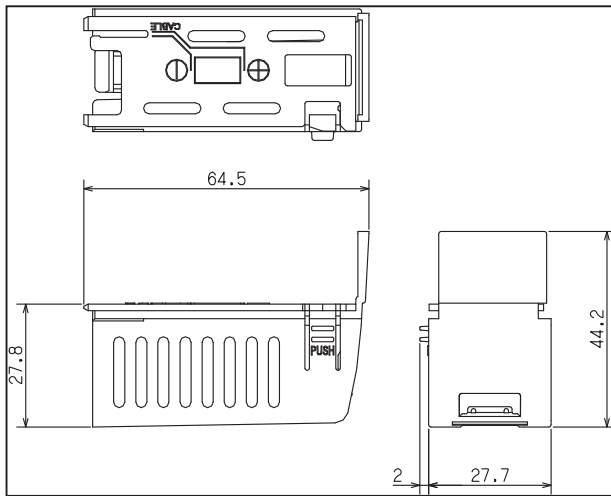


Figure 4. Dimensions of Q170MSBAT-SET (current model)

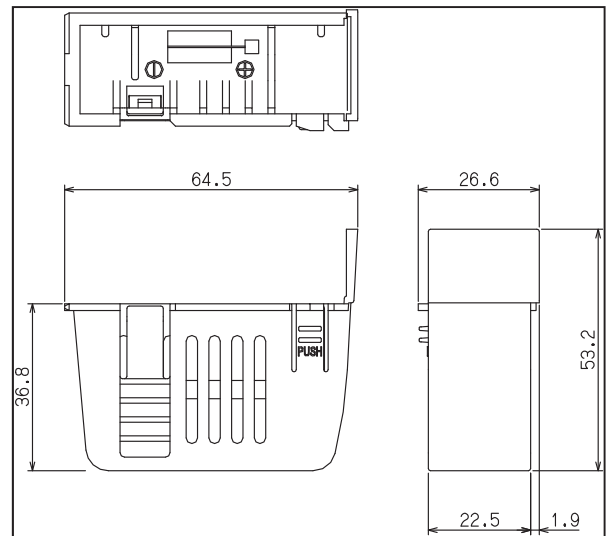


Figure 5. Dimensions of Q170MSBATN-SET (successor model)

(3) Installation procedure

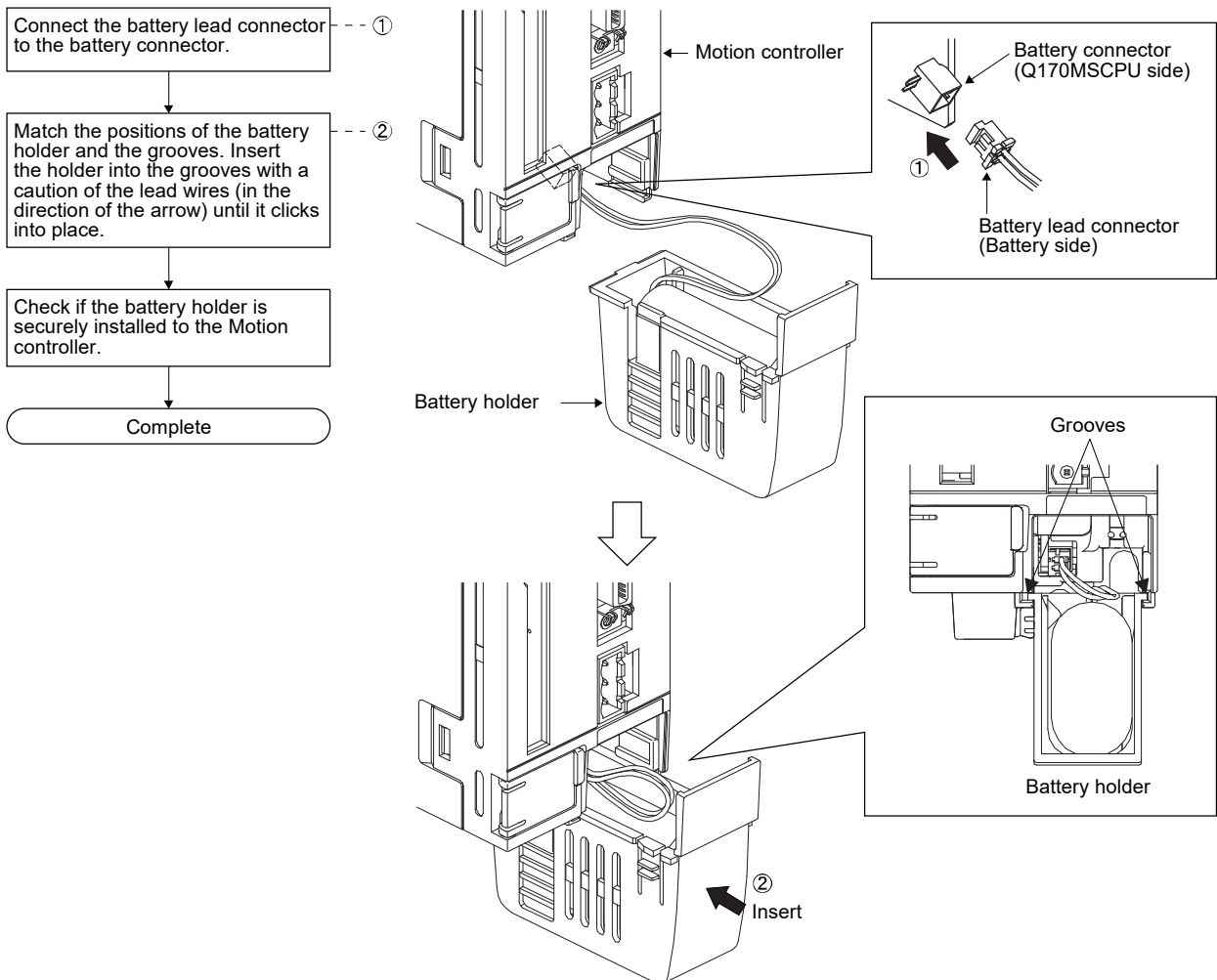


Figure 6. Installation procedure of Q170MSBATN-SET