

TECHNICAL BULLETIN

[1 / 10]

[Issue No.] GOT-A-0101-B

[Title] GOT2000 Series in Compliance with the ATEX Directive and KCs Certification Requirements

[Date of Issue] September 2016 (Ver. B: September 2021)

[Relevant Models] GOT2000 Series

Thank you for your continued support of Mitsubishi Electric Graphic Operation Terminal (GOT). The GOT2000 series has been compliant with the ATEX Directive and KCs certification requirements since September 2016. This bulletin informs you that a harmonized standard of the ATEX Directive was updated from EN 60079-0:2012/A11:2013 to EN IEC 60079-0:2018 in July 2021. Compliance with the new standard is certified by self-declaration. Accordingly, a partial change has been made to the Ex marking. To use the target models in compliance with these standards, refer to this technical bulletin or the supplementary description included with the GOT.

Contents

1.	ATEX Directive and KCs certification	2
1.1	ATEX Directive	2
1.2	KCs certification	2
2.	Target models	2
3.	Options required for compliance	3
3.1	Special fittings	3
3.2	Protective sheet	3
4.	Use environment	4
4.1	ATEX Directive	4
4.2	KCs certification	5
5.	Restrictions	6
5.1	Installation location	6
5.2	Control panel on which the target GOT is installed	6
5.3	Communication units and option units	6
5.4	Startup	6
6.	Installation and removal procedures	7
6.1	Installing the GOT	7
6.2	Removing the GOT	8
6.3	Attaching the protective sheet	9
7.	Others	10
	REVISIONS	10

[Issue No.] GOT-A-0101-B

1. ATEX Directive and KCs certification

1.1 ATEX Directive

|| 3 G Ex nA ||C T5 Gc
 || 3 D Ex tc ||C T100°C Dc
 Tamb 0°C to +55°C
 Refer to instructions
 IECEX TUR 15.0030 X

Use environment
 Ex mark

To use electric equipment intended for use in explosive atmospheres in the EU member states, the equipment must comply with the ATEX Directive. The equipment compliant with the ATEX Directive must bear a specified Ex mark and use environment. For the use environment, refer to the following.

→ 4.1 ATEX Directive

1.2 KCs certification

Ex nA ||C T5
 Ex tc ||C T100°C
 16-KA4BO-0394X

Use environment and certification number
 KCs mark

The Korea Testing Laboratory (KTL) mandates that applicable equipment receives KCs certification and bear a specified mark. The applicable equipment must bear a specified KCs mark, use environment, and certification number. For the use environment and certification number, refer to the following.

→ 4.2 KCs certification

2. Target models and schedule

The following shows the target models and schedule for compliance with the new standard.

Type	Model	Screen size	Power supply type	Compliance schedule
GT27 white model	GT2712-STWD	12.1"	24 V DC	September 2021 and later
	GT2710-VTWD	10.4"		
GT25 white model	GT2510-VTWD	10.4"		
	GT2508-VTWD	8.4"		

[Issue No.] GOT-A-0101-B

3. Options required for compliance

To use the target models in compliance with the ATEX Directive or KCs certification requirements, the following options are required separately. For purchasing the options, contact your local sales office.

3.1 Special fittings

The following shows the special fitting models and applicable GOTs.

The special fittings are used together with the standard fittings (included with the GOT) to fix the GOT.

Model	Applicable screen size	Applicable GOT
GT25-12FIT-EXS	12.1"	GT2712-STWD
GT25-10FIT-EXS	10.4"	GT2710-VTWD
		GT2510-VTWD

* GT2508-VTWD does not require the special fittings.

To identify the models with the holes for attaching the fittings, check the hardware version and the date of manufacture.

For the details, refer to the following.

➡ Adding the Holes for Attaching the Fittings to the GT27 and GT25 White Models (GOT-A-0099)

3.2 Protective sheet

The following shows the protective sheet models and applicable GOTs.

Model	Applicable screen size	Applicable GOT
GT25-12PSCC-UC	12.1"	GT2712-STWD
GT25-10PSCC-UC	10.4"	GT2710-VTWD
		GT2510-VTWD
GT25-08PSCC-UC	8.4"	GT2508-VTWD

For information on how to install the special fittings and protective sheet, refer to the following.

➡ 6. Installation and removal procedures

[Issue No.] GOT-A-0101-B

4. Use environment

4.1 ATEX Directive

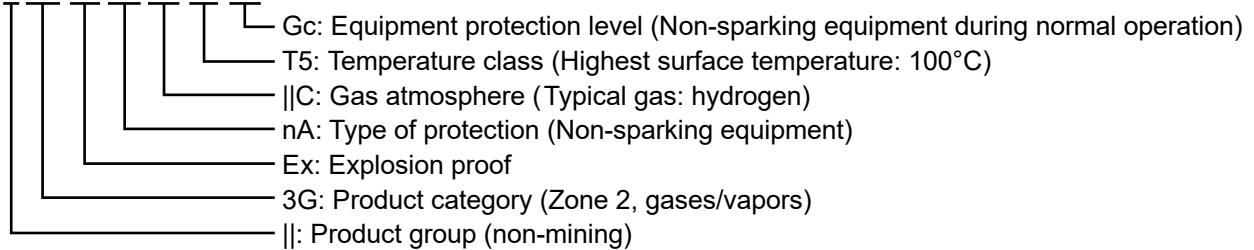
The ATEX-compliant GOT is usable in the following environments.

- Gas: zone 2, dust: zone 22

The following shows the details of the applicable environments.

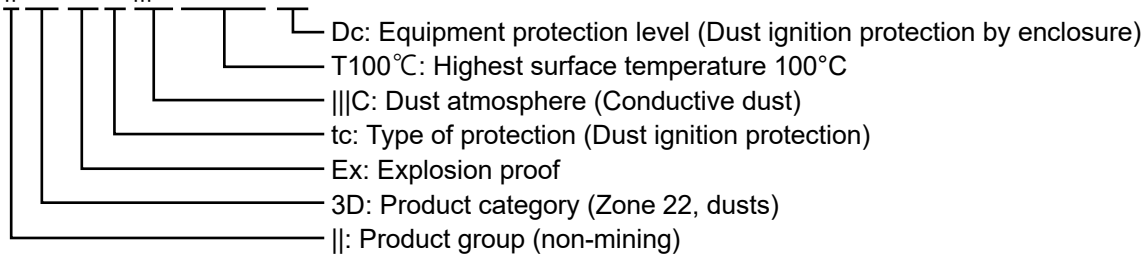
■ Gas environment

|| 3G Ex nA ||C T5 Gc



■ Dust environment

|| 3D Ex tc |||C T100°C Dc



■ Range of ambient operating temperature

Tamb 0°C to +55°C

Operating ambient temperature ranging from 0°C to 55°C

The following shows the IECEx certification number.

- IECEx TUR 15.0030 X

[Issue No.] GOT-A-0101-B

4.2 KCs certification

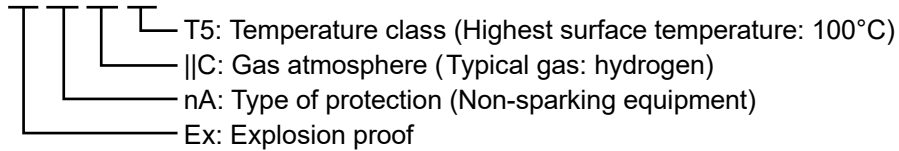
The KCs-certified GOT is usable in the following environments.

- Gas or dust environments

The following shows the details of the applicable environments.

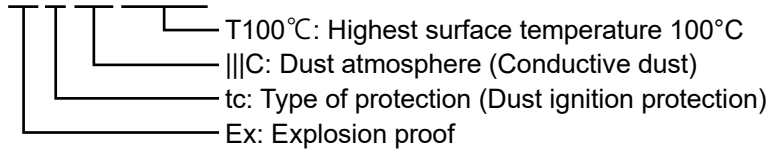
■ Gas environment

Ex nA ||C T5



■ Dust environment

Ex tc |||C T100°C



The following shows the certification number of the GOTs compliant with the KCs certification.

- 16-KA4BO-0394X

[Issue No.] GOT-A-0101-B

5. Restrictions

The following explains the restrictions on using the target GOTs in compliance with the ATEX Directive or KCs certification requirements.

5.1 Installation location

Use GOTs under either of the following conditions so that the GOTs do not receive a direct impact from peripheral equipment.

- A place where only authorized people have access
- A place surrounded by guards to avoid direct impacts

5.2 Control panel on which the target GOT is installed

The target GOT must be installed on an IP65-rated control panel.

5.3 Communication units and option units

Communication units and option units are not usable. If you use any of them, the target GOT does not comply with the relevant standards.

5.4 Startup

Before turning on the GOT, wipe its front panel with a damp cloth each time.

[Issue No.] GOT-A-0101-B

6. Installation and removal procedures**6.1 Installing the GOT**

To install the 12.1" or 10.4" GOT on the control panel, use both the fittings included with the GOT and the special fittings sold separately.

The 8.4" GOT does not require the special fittings.

The following shows the product configuration of the special fittings.

Model	Product	Quantity	Applicable screen size	Applicable GOT
GT25-12FIT-EXS	Special fitting A (BD808D084)	3	12.1"	GT2712-STWD
	Special fitting B (BD808D191)	1		
GT25-10FIT-EXS	Special fitting A (BD808D084)	2	10.4"	GT2710-VTWD GT2510-VTWD

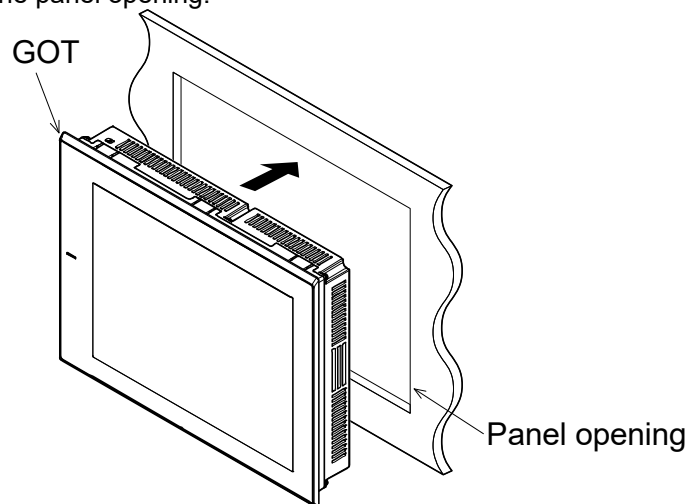
For the panel cutting dimensions, refer to the GOT2000 Series User's Manual (Hardware).

The following shows an example of the horizontal installation.

For the vertical installation, make sure that the vertical installation arrow printed on the GOT rear face points upward.

Install the GOT in the following procedure.

- 1) Insert the GOT into the panel opening.



- 2) Align the fittings with the installation holes on the GOT, and install the fittings.

Fasten the fittings in the following order.

- For GT2712-STWD

Standard fittings → special fitting A → special fitting B

- For GT2710-VTWD or GT2510-VTWD

Standard fittings → special fitting A

Use a Phillips-head screwdriver No. 2 to tighten the mounting screws within the specified torque range as shown below.

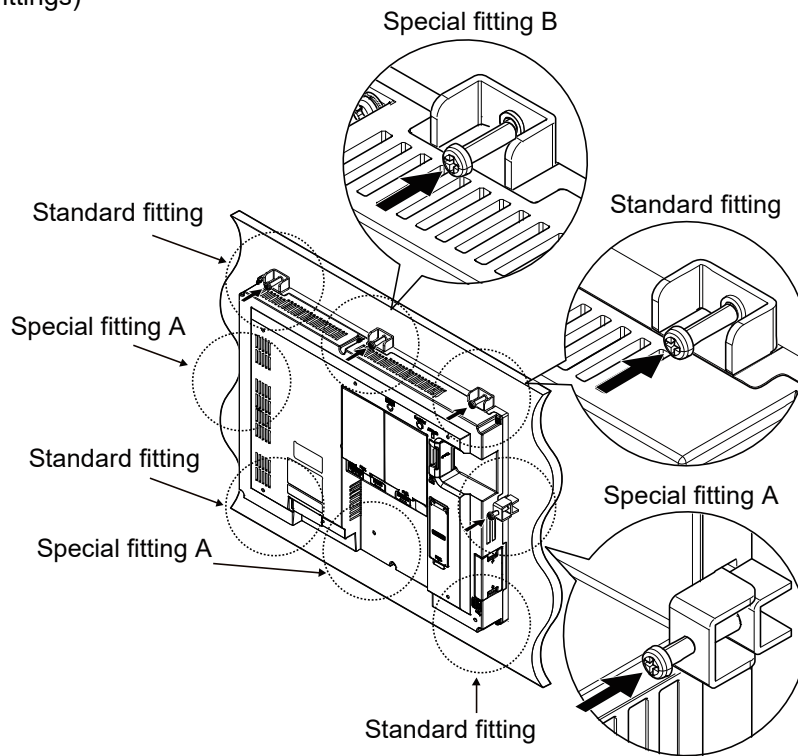
- For standard fittings: 0.36 N•m to 0.48 N•m

- For special fittings A and B: 0.42 N•m to 0.48 N•m

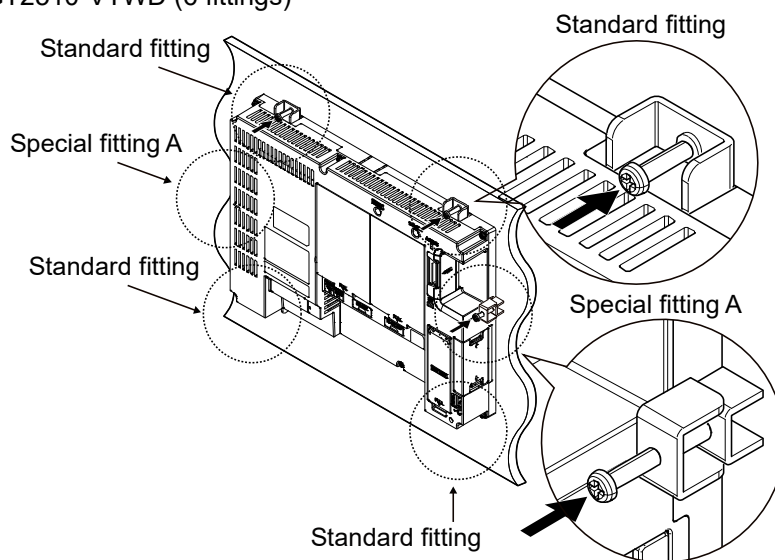
Overtightening may cause the GOT front panel to deform, making wrinkles on the protective sheet.

[Issue No.] GOT-A-0101-B

■ GT2712-STWD (8 fittings)



■ GT2710-VTWD or GT2510-VTWD (6 fittings)



6.2 Removing the GOT

Remove the GOT in the reverse of the installation procedure.

[Issue No.] GOT-A-0101-B

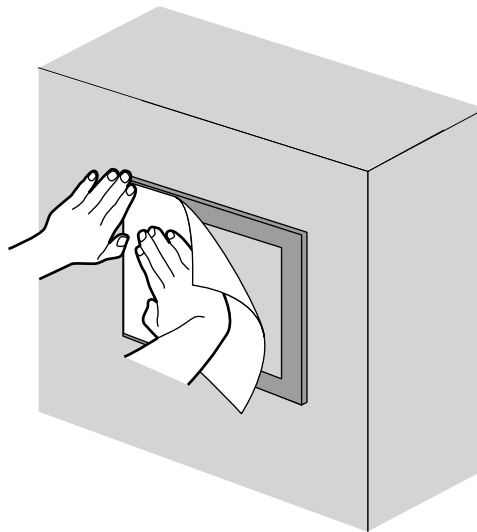
6.3 Attaching the protective sheet

Attach an applicable protective sheet on the GOT front face as shown below.

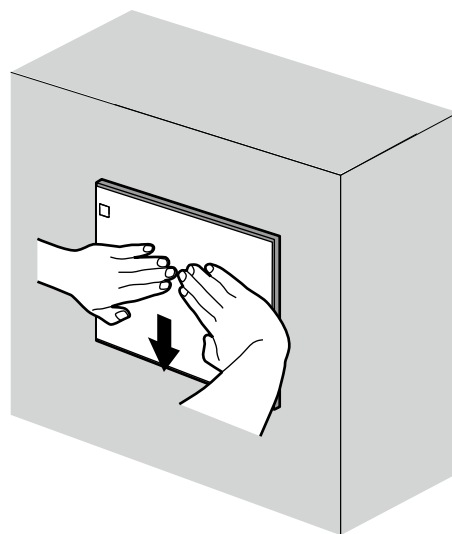
Model	Applicable screen size	Applicable GOT
GT25-12PSCC-UC	12.1"	GT2712-STWD
GT25-10PSCC-UC	10.4"	GT2710-VTWD GT2510-VTWD
GT25-08PSCC-UC	8.4"	GT2508-VTWD

The following shows an example of attaching a protective sheet on GT2712-STWD.
Attach the protective sheet in the following procedure.

- 1) Position the protective sheet from the upper left of the GOT.



- 2) Attach the protective sheet from one direction gradually. Make sure to fit the protective sheet onto the GOT surface closely without leaving any air between them.
Apply enough pressure to the adhesive part of the protective sheet.
To ensure adequate adhesive strength, you are recommended to use the GOT about 24 hours later after the protective sheet is attached.



[Issue No.] GOT-A-0101-B

7. Others

Before using the target GOT, read the following supplementary description that is included with the GOT.

- ➔ GOT2000 Series Supplementary Description (Compliance with the ATEX Directive)
(IB-0800551ENG)
GOT2000 시리즈 보충 설명 (KCs 지침 준수) (IB-0800558KOR)

We have made some changes on the rating plate and added and made changes on the caution plates in accordance with the ATEX Directive and KCs certification marks.

For details, refer to the following.

- ➔ Rating Plate and Caution Plate Changes of GOT2000 Series Compliant with Overseas Standards (GOT-A-0102)

REVISIONS

Version	Print Date	Revision
*	September 2016	- First edition
A	December 2017	- The configuration table of the special fittings has been complemented.
B	September 2021	- A partial change has been made to the Ex marking to comply with EN IEC 60079-0:2018.