

TECHNICAL BULLETIN

[Issue No.] T08-0014

[Page] 1/1

[Title] Restrictions for CC-Link/LT system wiring

[Date of Issue] April, '03

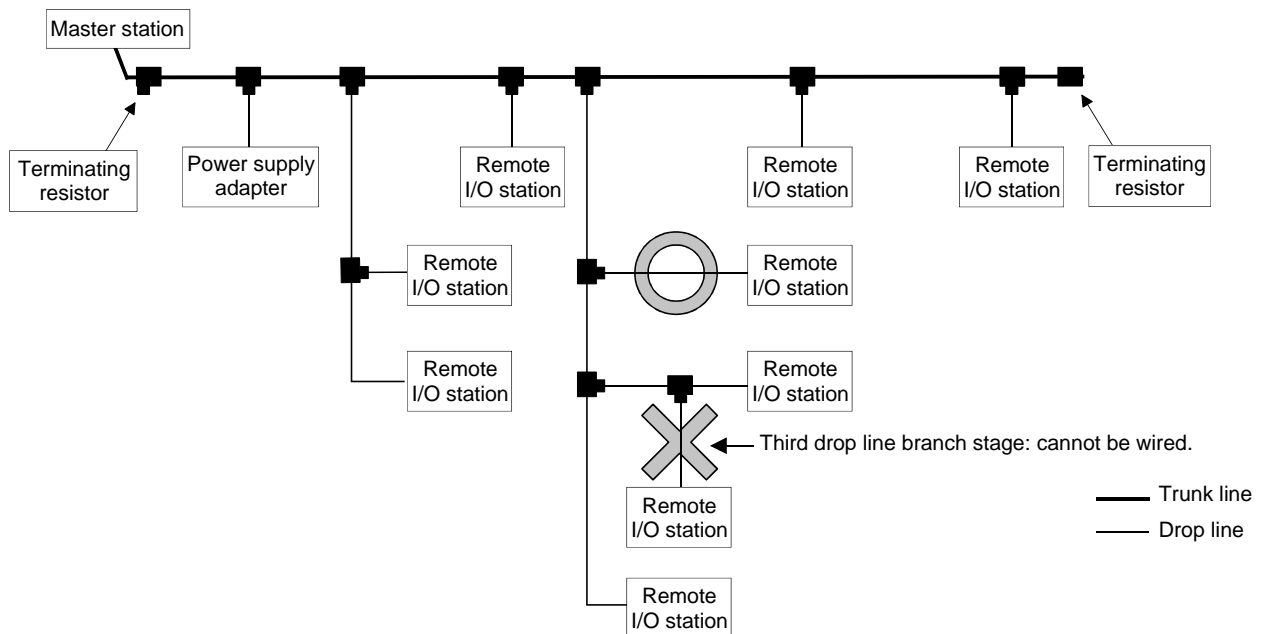
[Relevant Models] CC-Link/LT system-relevant models

Thank you for your continued support of Mitsubishi PLC MELSEC-Q/QnA/A Series.

The number of drop line branch stages, within the CC-Link/LT system, is restricted as follows. (Also, this is applicable to systems consisting of AJ65SBT-CLB CC-Link - CC-Link/LT bridge module and CC-Link/LT remote module).

Restrictions for the number of drop line branch stages

The drop line branch in the CC-Link/LT system can only be subdivided into two stages. Therefore, a third stage in the branch is invalid, as show in the diagram below.



MITSUBISHI ELECTRIC CORPORATION

HEAD OFFICE : 1-8-12, OFFICE TOWER Z 14F HARUMI CHUO-KU 104-6212, JAPAN
NAGOYA WORKS : 1-14, YADA-MINAMI 5-CHOME, HIGASHI-KU, NAGOYA, JAPAN