

TECHNICAL BULLETIN

[Issue No.] T08-0016

[Page] 1/2

[Title] Cautions when using the CC-Link system compact type remote I/O module (with protection function, 0.5A, transistor output type)

[Date of Issue] Jun., '06

[Relevant Models] CC-Link system compact type remote I/O module*

*: For the relevant models, please refer to "Relevant models list" in section 2.

Thank you for your continued support of Mitsubishi MELSEC-A series programmable logic controller.

This bulletin provides a caution when using a load with built-in capacitor for the external load of the CC-Link system compact type remote I/O module.

1. Caution

When a load with built-in capacitor is connected to the external load of the CC-Link system compact type remote I/O module as shown in section 2, a resonance may occur by combination of inductor in the wiring with the capacitor in the load. This may cause reverse current in output transistor.

Due to the reverse current, the protection circuit for output transistor might operate, and the outputs might not be turned on.

Note: Such as SSR (Solid state relay) may incorporate a capacitor for countermeasures against noise, etc. When the situation above occurs, confirm if a capacitor is incorporated to the manufacturer.

2. Relevant models list

The following CC-Link system compact type remote I/O modules (with protection function, 0.5A, transistor output type) are the target models.

AJ65SBTB1-8T	AJ65SBTB2-8T	AJ65SBTB1-16T	AJ65SBTB2-16T
AJ65SBTB1-32T	AJ65SBTC1-32T	AJ65SBTB32-8DT	AJ65SBTB1-16DT
AJ65SBTB1-16DT1	AJ65SBTB32-16DT	AJ65SBTB1-32DT	AJ65SBTB1-32DT1
AJ65SBTC4-16DT	AJ65SBTC1-32DT	AJ65SBTC1-32DT1	AJ65SBTW4-16DT

[Issue No.] T08-0016

[Page] 2/2

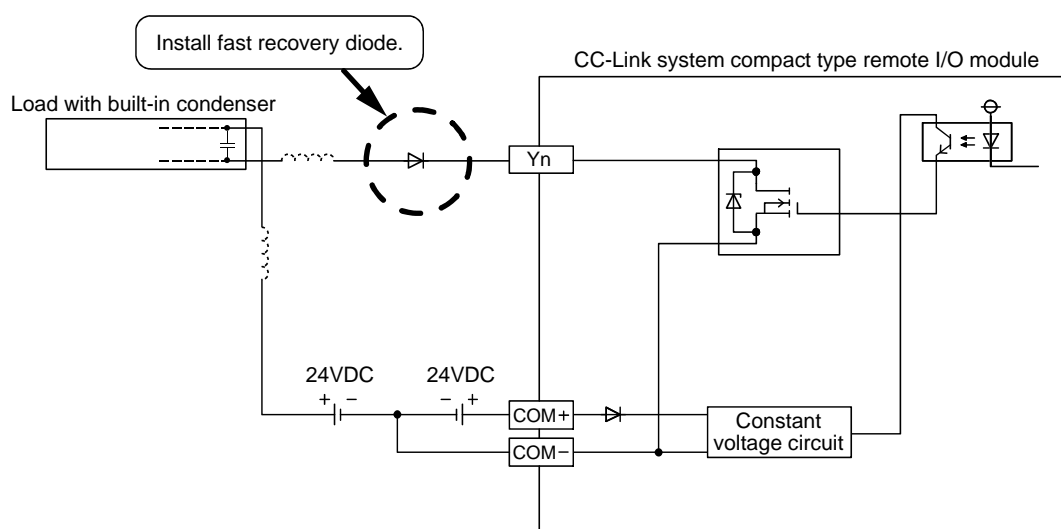
[Title] Cautions when using the CC-Link system compact type remote I/O module (with protection function, 0.5A, transistor output type)

[Date of Issue] Jun., '06

[Relevant Models] CC-Link system compact type remote I/O module*

3. Measure

When a load with built-in capacitor is connected and the outputs are not turned on, install fast recovery diode (1A, 100V or more) in series with the external load as the figure below. (Pay attention to polarity.)



POINT

This issue results from the connection status of products. Therefore, if the connected devices and their connection status have not been changed in the running system, this measure is needless.