

Mitsubishi Electric Corporation **Industrial** Robot

# MELFA Technical News

BFP-A6079-0257E

March 2020

**Subject:** Notice of shape change of appearance.

**Affected item:** RV-8CRL

Thank you for your continued support of Mitsubishi industrial robot MELFA series. In this technical news, we will inform you about appearance shape change of our industrial robot RV-8CRL.

## 1. Model

RV-8CRL

## 2. Details of the change

The appearance changes because the manufacturing method of the metal parts of the robot body changes. There is no change in material. There is no change in resin parts.

<1>The following surface textures have been changed.

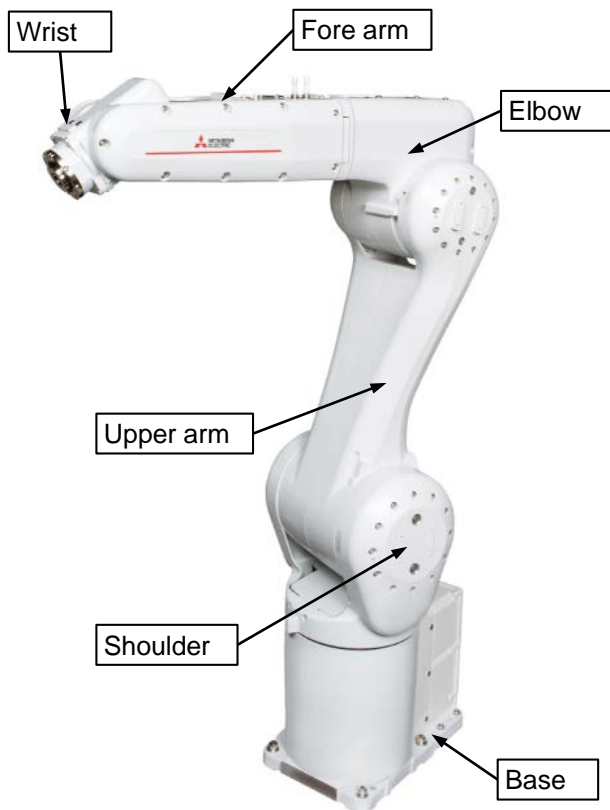
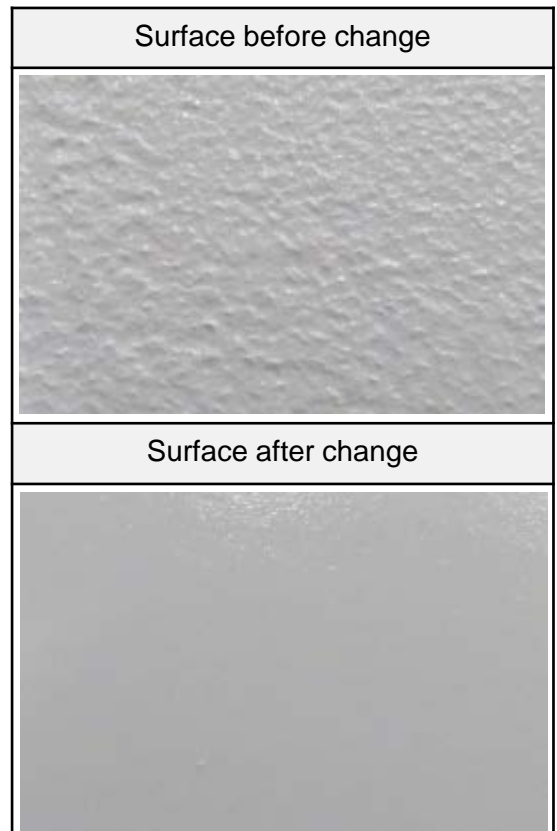


Fig 1-1 Changed parts



There are no influence on the function with this change.

<2>The indication in the axial direction changes from the sticker to the mold shape. also, the position of the J1 axis and J5 axis will be changed.

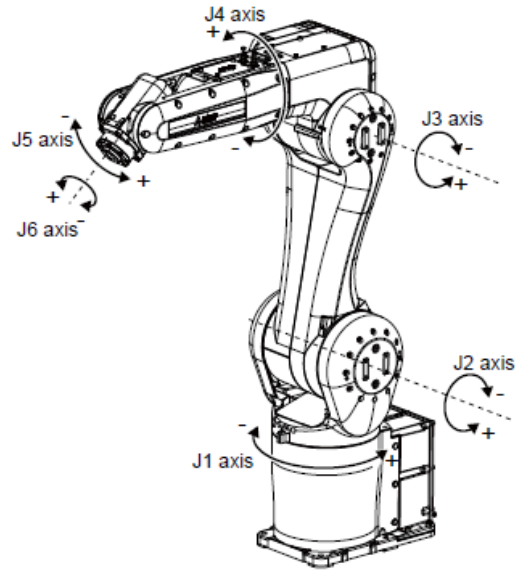
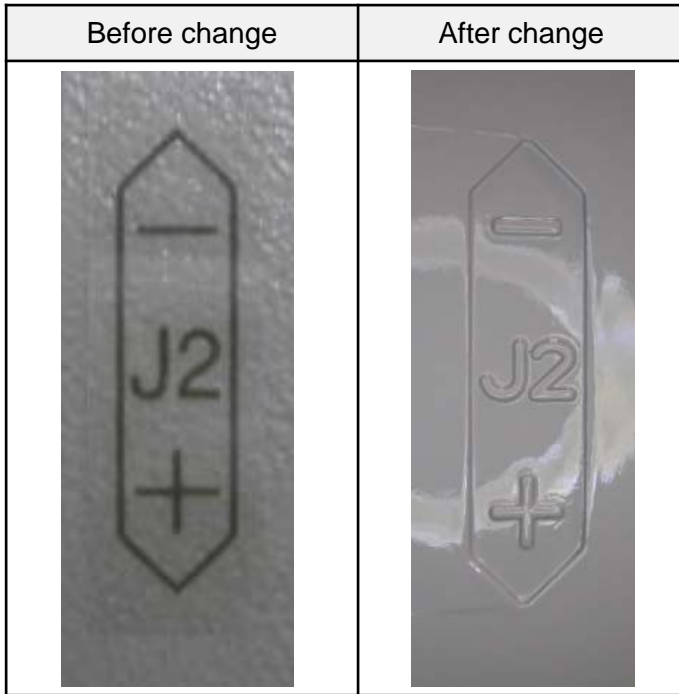


Fig2-1 Operating direction

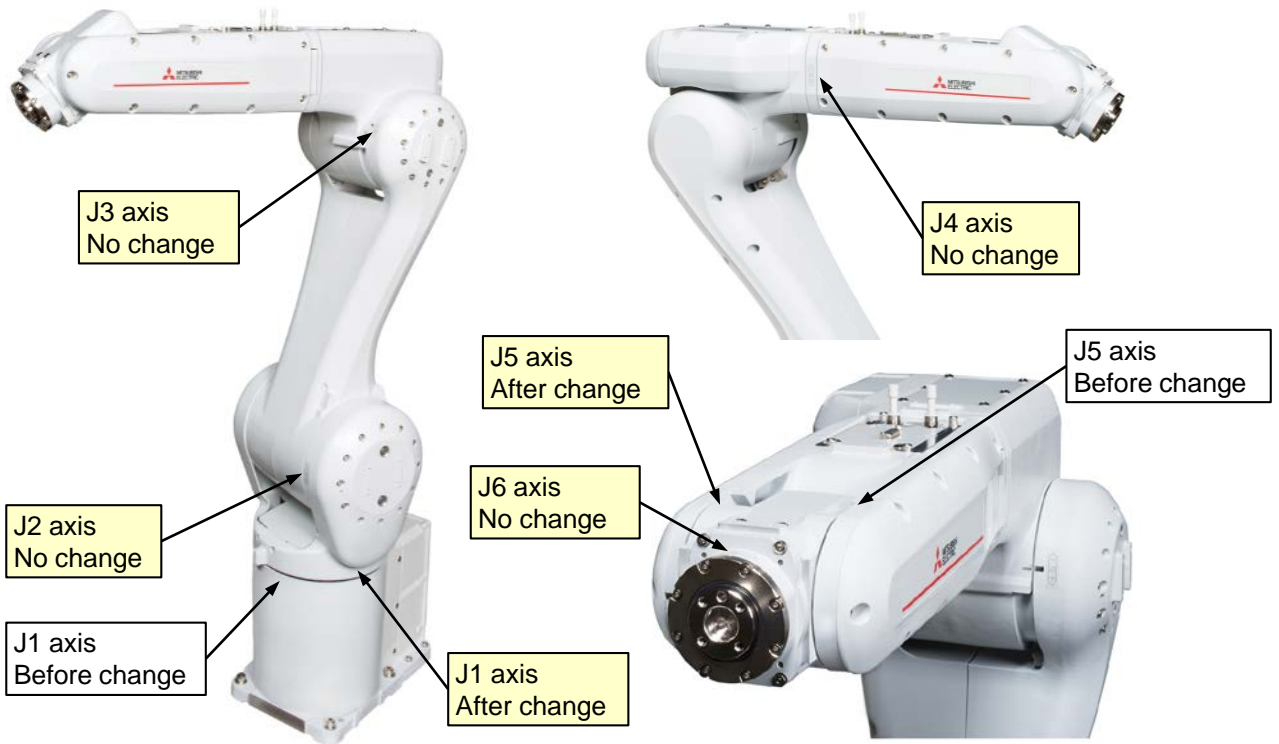


Fig2-2 Display position

There are no influence on the function with this change.

### 3. Model to reflect a change

Switch sequentially from late March 2020  
Exact date is determined by delivery and inventory.