

[Issue No.] ZD-5034A

[Title] Changes to the packing and label of flange-type tension detector

[Date of Issue] June 2019

[Relevant Models] LX7-50FN17 LX7-150FN17 LX7-300FN17 LX7-500FN17

Thank you for your continued support of Tension Controller.

We would like to announce the changes to the packing and label of LX7-F flange-type tension detector.

1. Applicable models



Flange-type tension detector

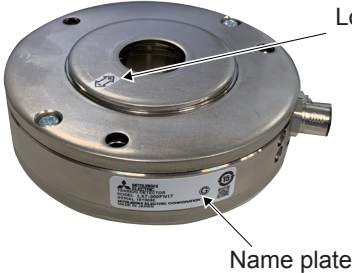
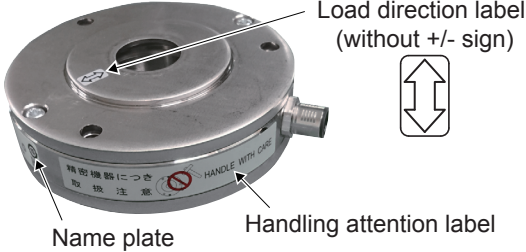
Model	Model code
LX7-50FN17	094550
LX7-150FN17	094551
LX7-300FN17	094552
LX7-500FN17	094553

2. Reason for the changes

Details of the changes	Reason for the changes
Packing size	For improvement of shock resistance
Addition of the handling attention label	To highlight product handling caution
Removal of +/- sign in the load direction label	There is no need to distinguish between + and -.

3. Details of the changes

	Before change	After change																
Packing	 <table border="1"> <thead> <tr> <th>Packing dimension</th> <th>Length</th> <th>Width</th> <th>Height</th> </tr> </thead> <tbody> <tr> <td>(mm)</td> <td>220</td> <td>210</td> <td>90</td> </tr> </tbody> </table>	Packing dimension	Length	Width	Height	(mm)	220	210	90	 <table border="1"> <thead> <tr> <th>Packing dimension</th> <th>Length</th> <th>Width</th> <th>Height</th> </tr> </thead> <tbody> <tr> <td>(mm)</td> <td>220</td> <td>210</td> <td>100</td> </tr> </tbody> </table> <ul style="list-style-type: none"> We reinforced the interior material. With the above change, we enlarged the height of the packing box. 	Packing dimension	Length	Width	Height	(mm)	220	210	100
Packing dimension	Length	Width	Height															
(mm)	220	210	90															
Packing dimension	Length	Width	Height															
(mm)	220	210	100															

	Before change	After change
Label	 <p>Load direction label (with +/- sign)</p> <p>Name plate</p>	 <p>Load direction label (without +/- sign)</p> <p>Name plate</p> <p>Handling attention label</p> <ul style="list-style-type: none"> • We added the handling attention label. • With the above change, we changed the attachment position of the name plate. • We removed +/- sign from the load direction label.

4. Date of change

The changes will be applied to the products manufactured in May 2019 and later (Serial number: 195****). Depending on stock status, both the old and new products may be distributed in the market around that time.

REVISIONS

Revision	Date	Description
A	June 2019	First edition

The company names, system names and product names mentioned in this technical bulletin are either registered trademarks or trademarks of their respective companies. In some cases, trademark symbols such as '™' or '®' are not specified in this technical bulletin.