

# TECHNICAL BULLETIN

**[Issue No.]** T99-0070-B

**[Page]** 1/4

**[Title]** Production discontinuation of MELSECNET/MINI-S3 and A2C series

**[Date of Issue]** Aug., '06

**[Relevant Models]** Master modules, I/O modules, special function modules, operation boxes, and others

Thank you for your continued support of Mitsubishi programmable logic controllers, MELSEC-A/QnA series. Production of the following MELSECNET/MINI-S3 and A2C series I/O modules, special function modules, data link modules, and other related products (made-to-order products for the MELSECNET/MINI-S3 and A2C series) will be discontinued.

## 1. Models to be discontinued

| Product name  | Model         | Product name                 | Model               |              |
|---------------|---------------|------------------------------|---------------------|--------------|
| Master module | A1SJ71PT32-S3 | I/O module                   | AX80Y14CEU          |              |
| Input module  | AX11C         |                              | AX40Y50C            |              |
|               | AX21C         |                              | AX80Y80C            |              |
|               | AX31C         |                              | AJ35PTF-56AR        |              |
|               | AX41C         |                              | AJ35PTF-28AS        |              |
|               | AX81C         |                              | AJ35PTF-56AS        |              |
|               | AJ35PTF-32D   |                              | AJ35PTF-28DS        |              |
|               | AJ35TB1-16A   |                              | AJ35PTF-56DS        |              |
|               | AJ35TB3-8D    |                              | AJ35PTF-56DR        |              |
|               | AJ35TB1-16D   |                              | AJ35PTF-56DT        |              |
|               | AJ35TB2-8D    |                              | AJ35TB1-16AR        |              |
|               | AJ35TB2-16D   |                              | AJ35TB1-16DR        |              |
|               | AJ35TC1-32D   |                              | AJ35TB1-16DT        |              |
|               | Output module | AY13C                        |                     | AJ35TC1-32DT |
|               |               | AY15CEU                      | Cable               | A2C-C0005    |
| AY23C         |               |                              | A2C-C0007           |              |
| AY51C         |               | DIN Adapter                  | A6DIN2C             |              |
| AY61CE        |               |                              | A6DIN3C             |              |
| AY81C         |               | Analog input module          | A68ADC              |              |
| AJ35PTF-24S   |               |                              | A64DAVC             |              |
| AJ35TB1A-8R   |               |                              | A64DAIC             |              |
| AJ35TB2-8R    |               | Temperature input module     | A64RD3C             |              |
| AJ35TB1-16R   |               |                              | A64RD4C             |              |
| AJ35TB1A-8T   |               | High-speed counter module    | AD61C               |              |
| AJ35TB2-8T    |               |                              | AD62C               |              |
| AJ35TB1-16T   |               | RS-232C interface module     | AJ35PTF-R2          |              |
| AJ35TB2-16T   |               | Operating box                | AJ35T-OPB-P1-S3     |              |
| AJ35TC1-32T   |               |                              | AJ35PT-OPB-M1-S3    |              |
| I/O module    |               | AX10Y10C                     | Operating box cable | AC30MINI     |
|               |               | AX10Y22C                     | Joint box           | AJ35T-JB-S3  |
|               | AX40Y10C      | Transmission converting unit | AJ35PTC-CNV         |              |
|               | AX80Y10C      |                              |                     |              |

For production discontinuation of MELSECNET/MINI-S3 modules of MELSEC-A (Large type) series, refer to T99-0050 in the technical bulletin (Production discontinuation of MELSEC-A/QnA (Large type) series models).

# TECHNICAL BULLETIN

**[Issue No.]** T99-0070-B

**[Page]** 2/4

**[Title]** Production discontinuation of MELSECNET/MINI-S3  
and A2C series

**[Date of Issue]** Aug., '06

**[Relevant Models]** Master modules, I/O modules, special function modules,  
operation boxes, and others

---

## 2. Schedule

- Transition to made-to-order: October 1st, 2007
- Order deadline: Through August 2008
- Final production: Through September 2008

## 3. Reasons for discontinuing production

Conventional main electronic components of the relevant PLC models, i.e., semiconductor components (micro computer, memory, ASIC, etc.) are now absolutely difficult to obtain, as they are produced based on the stricter process rules and the contributions to environmental conservation, such as lead-free, compliance to RoHS directives are required. We have been producing MELSECNET/MINI-S3 and A2C series products by securing the stock of these obsolete components. However, the stock is about to run out, and we have extreme difficulty to maintain the production system and product quality.

## 4. Repair acceptance

- Repair acceptance: Through September, 2015 (for 7 years after production discontinuation)

## 5. Alternative models

It is recommended to replace the MELSECNET/MINI-S3 system with the CC-Link system.

For transition from the MELSECNET/MINI-S3 system to the CC-Link system, refer to the following manual.

- Transition from MELSECNET/MINI-S3, A2C (I/O) to CC-Link Handbook L-08061ENG

# TECHNICAL BULLETIN

**[Issue No.]** T99-0070-B

**[Page]** 3/4

**[Title]** Production discontinuation of MELSECNET/MINI-S3 and A2C series

**[Date of Issue]** Aug., '06

**[Relevant Models]** Master modules, I/O modules, special function modules, operation boxes, and others

## 6. Conversion adapter for utilizing the MELSECNET/MINI-S3 I/O module wiring

In order to transit to the CC-Link system, we prepare a conversion adapter to utilize the existing wiring. How to use the conversion adapter is explained below. Please note that conversion adapters are currently under development and the specifications may be changed. The release date of them will be informed separately.

### (1) Conversion adapter;

A conversion adapter allows connection of a terminal block used for a MELSECNET/MINI-S3 I/O module to a CC-Link I/O module and thereby the time and labor for rewriting can be saved. For relevant models, refer to (2) Applicable model list. For configuration utilizing the wiring a conversion adapter, refer to (3) Example for using a conversion adapter.

### (2) Applicable model list

The following discontinued models can be replaced by utilizing the conversion adapter.

| Discontinued model |             | Alternative model  |                                  |  |
|--------------------|-------------|--------------------|----------------------------------|--|
| Product            | Model       | Model              |                                  | Remark (Restrictions)  |
|                    |             | Alternative module | Conversion adapter               |  |
| Input module       | AJ35TB1-16D | AJ65BTB1-16D       | 26-pin conversion adapter *1     | *1 The total size is increased due to addition of the adapter to the alternative module.<br>*2 Additional wiring to CTL+ (External power supply for output) is required. |
|                    | AJ35TB2-16D | AJ65BTB2-16D       | 34-pin conversion adapter *1     |  |
| Output module      | AJ35TB1-16T | AJ65BTB1-16T       | 26-pin conversion adapter *1, *2 |  |

# TECHNICAL BULLETIN

[Issue No.] T99-0070-B

[Page] 4/4

[Title] Production discontinuation of MELSECNET/MINI-S3 and A2C series

[Date of Issue] Aug., '06

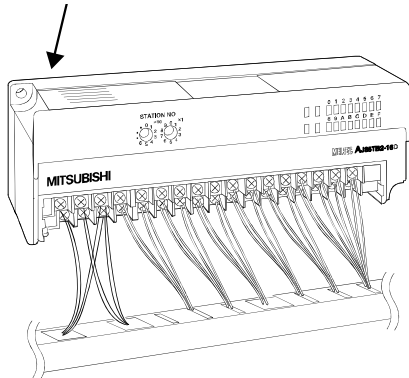
[Relevant Models] Master modules, I/O modules, special function modules, operation boxes, and others

### (3) Example for using a conversion adapter

How to replace the AJ35TB2-16D with the AJ65BTB2-16D with a 34-pin conversion adapter is shown below.

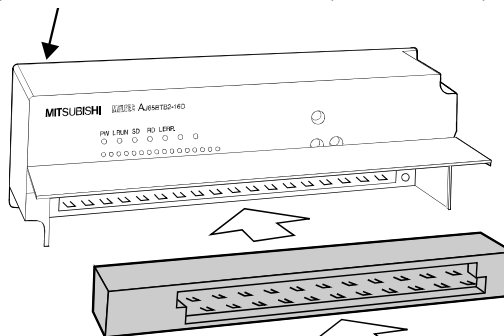
[Before replacement]

MELSECNET/MINI-S3 I/O module (AJ35TB2-16D)



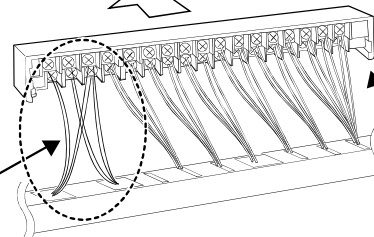
[After replacement]

Replace with the CC-Link I/O module (AJ65BTB2-16D).



Remove the terminal block of the CC-Link I/O module, and then install the conversion adapter.

Rewire the CC-Link cables and power cable.



No modification is necessary for I/O wiring since the existing terminal block of the MELSECNET/MINI-S3 I/O module can be used.