

# TECHNICAL BULLETIN

[Issue No.] FA-A-0182

[Page] 1/1

[Title] Correction of error information on MELSEC-Q series base unit mounting dimension

[Date of Issue] December 2014

[Relevant Models] Q65B

Thank you for your continued support of Mitsubishi programmable controllers, MELSEC-Q series.

An incorrect description on external dimensions was found in the QCPU User's Manual (Hardware Design, Maintenance and Inspection) (SH-080483ENG-AC).

We inform you of the correction we made to the manual (SH-080483ENG-AG, issued in December 2014).

## 1. Corrected section

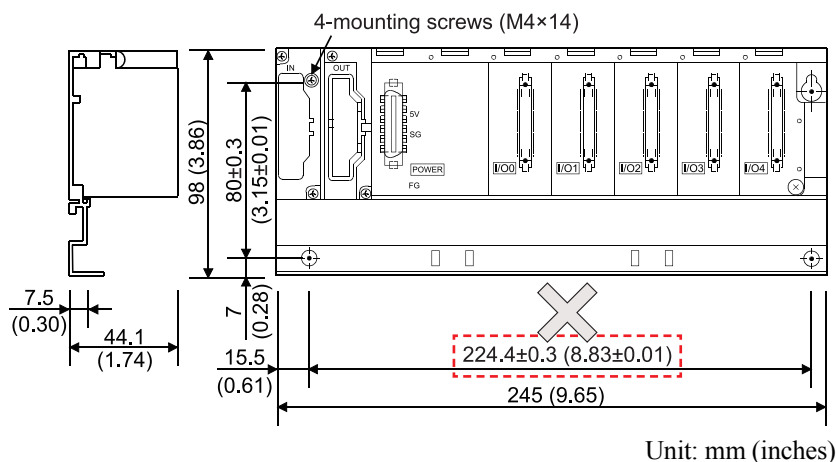
Appendix 12.4 Extension base units

## 2. Correction details

The mounting dimension of the Q65B has been corrected as shown below.

[Incorrect description]

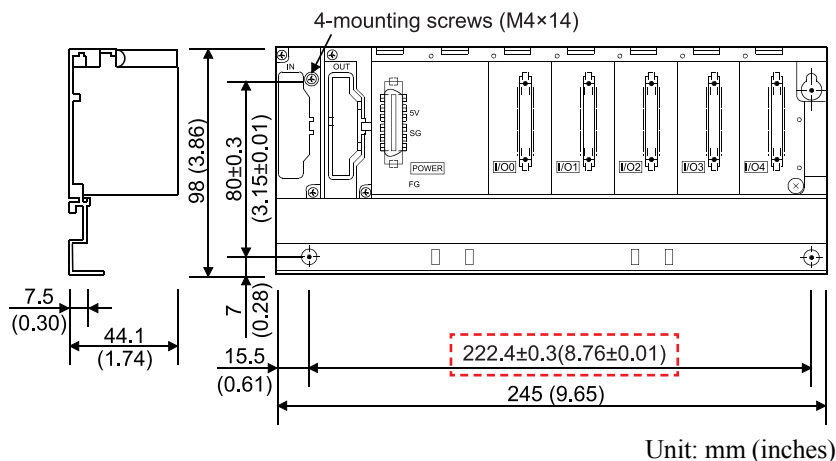
Pitch between base mounting holes:  $224.4 \pm 0.3$ mm ( $8.83 \pm 0.01$  inches)



Unit: mm (inches)

[Correct description]

Pitch between base mounting holes:  $222.4 \pm 0.3$ mm ( $8.76 \pm 0.01$  inches)



Unit: mm (inches)

**MITSUBISHI ELECTRIC CORPORATION**

HEAD OFFICE : TOKYO BUILDING, 2-7-3 MARUNOUCHI, CHIYODA-KU, TOKYO 100-8310, JAPAN  
NAGOYA WORKS : 1-14, YADA-MINAMI 5-CHOME, HIGASHI-KU, NAGOYA, JAPAN