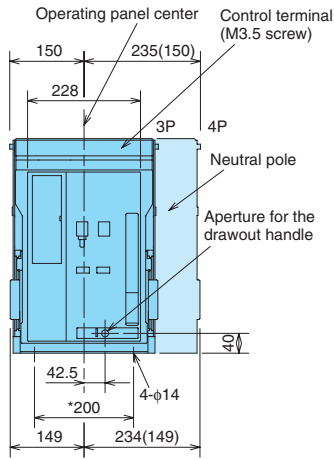


Outline dimensions

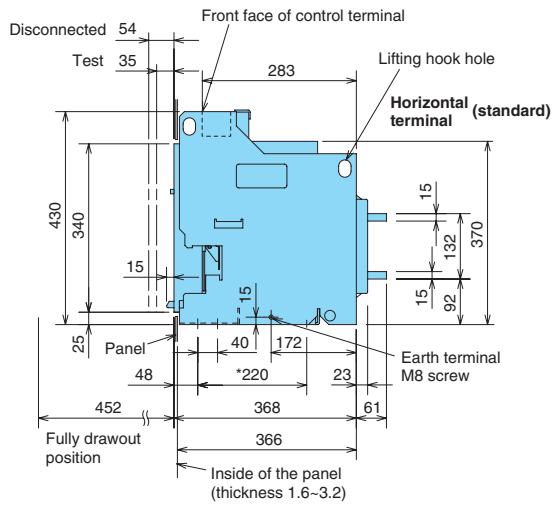
Drawout type AE630-SW, AE1000-SW, AE1250-SW, AE1600-SW

(mm)

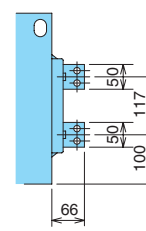
Front view



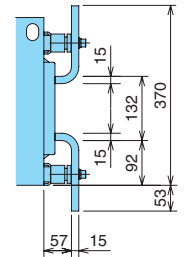
Side view



Vertical terminal



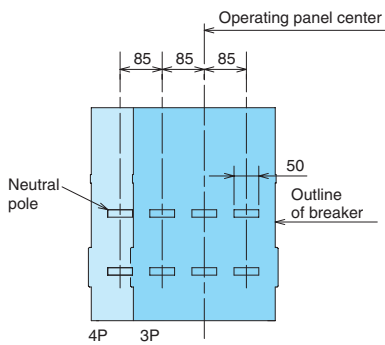
Front terminal



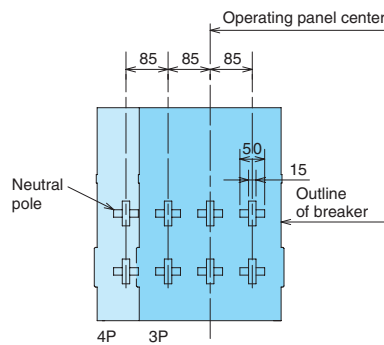
*: Mounting pitch
The numerals shown in parentheses are for 3 poles.

Rear view

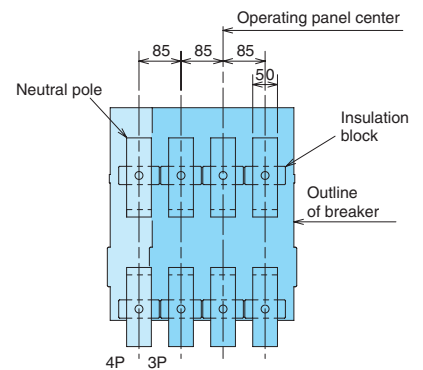
Horizontal terminal



Vertical terminal

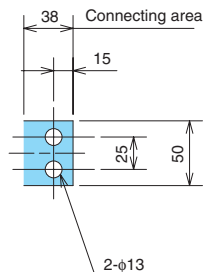


Front terminal



Main circuit terminal dimension

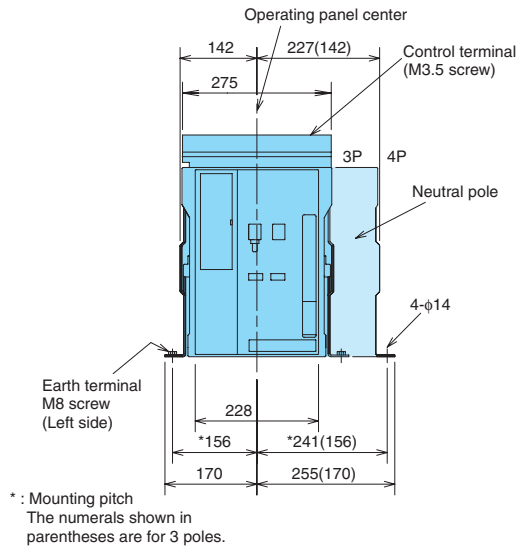
Horizontal terminal(standard) Vertical terminal Front terminal



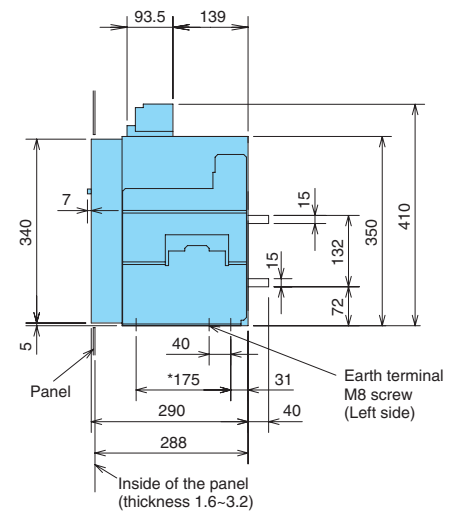
Fixed type AE630-SW, AE1000-SW, AE1250-SW, AE1600-SW

(mm)

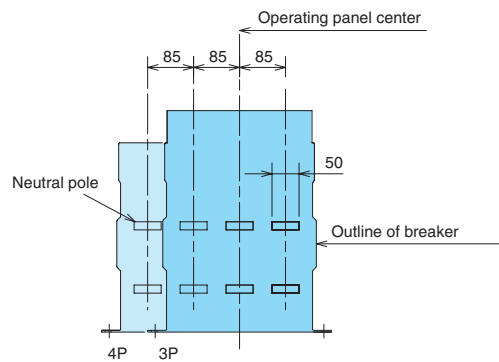
Front view



Side view



Rear view



Main circuit terminal dimension

