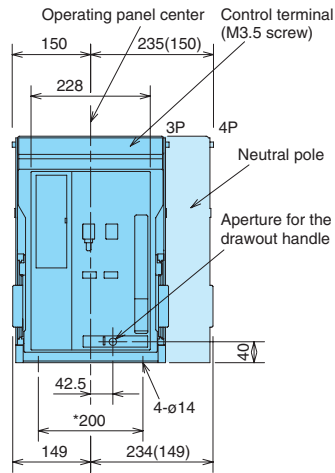


Drawout type AE2000-SWA

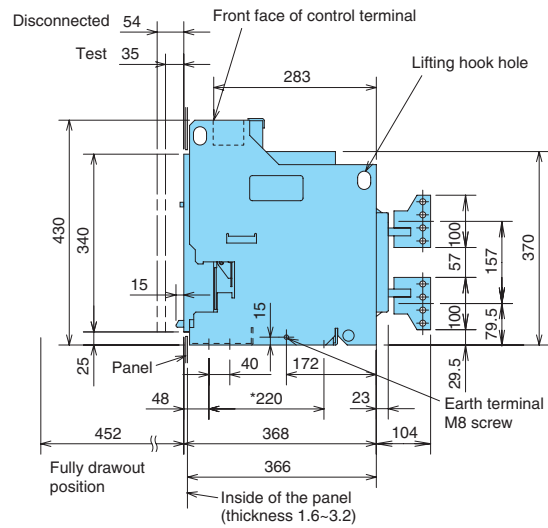
(mm)

Front view

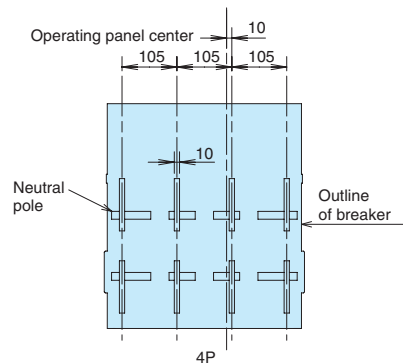
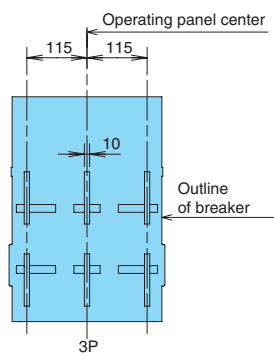


* : Mounting pitch
The numerals shown in parentheses are for 3 poles.

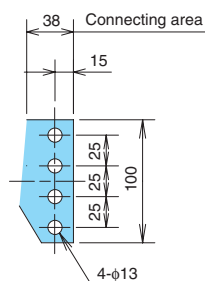
Side view



Rear view



Main circuit terminal dimension

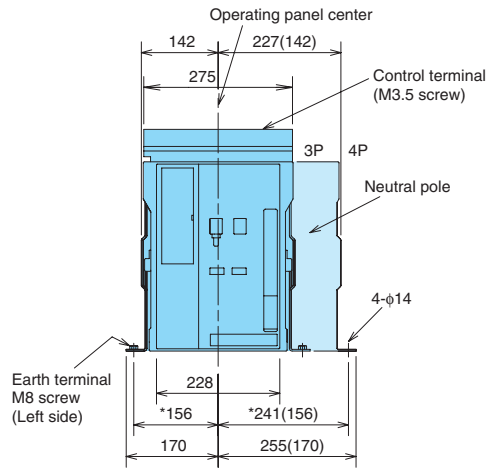


Outline dimensions

Fixed type AE2000-SWA

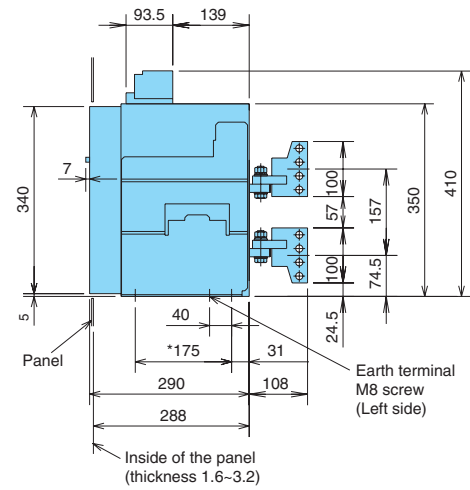
(mm)

Front view

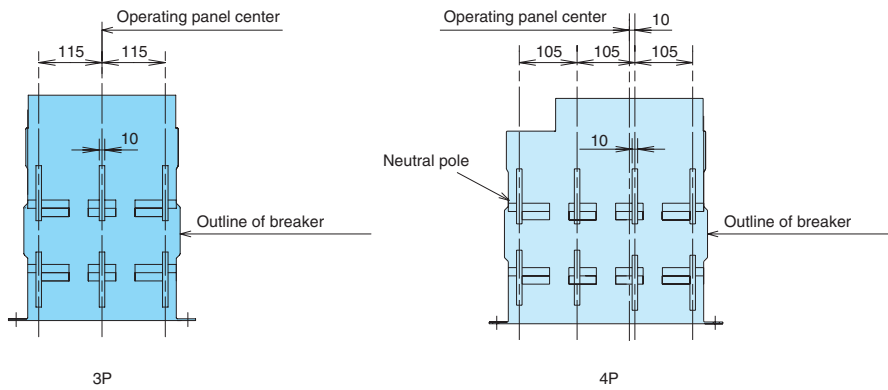


* : Mounting pitch
The numerals shown in parentheses are for 3 poles.

Side view



Rear view



Main circuit terminal dimension

