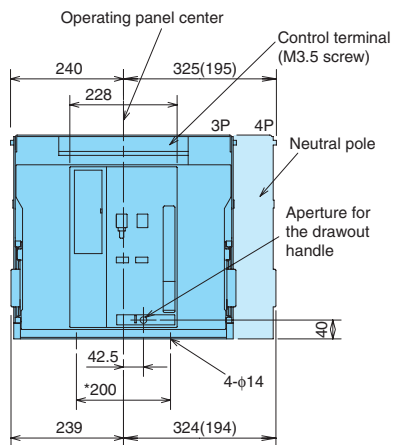


Outline dimensions

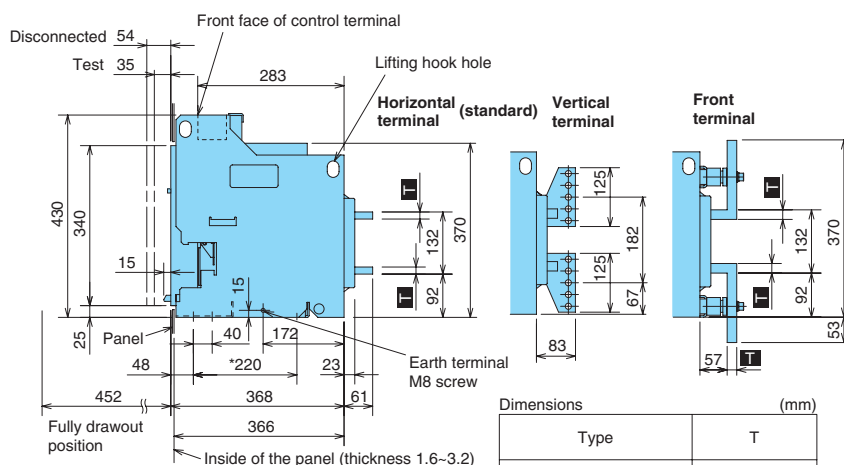
Drawout type AE2000-SW, AE2500-SW, AE3200-SW

(mm)

Front view

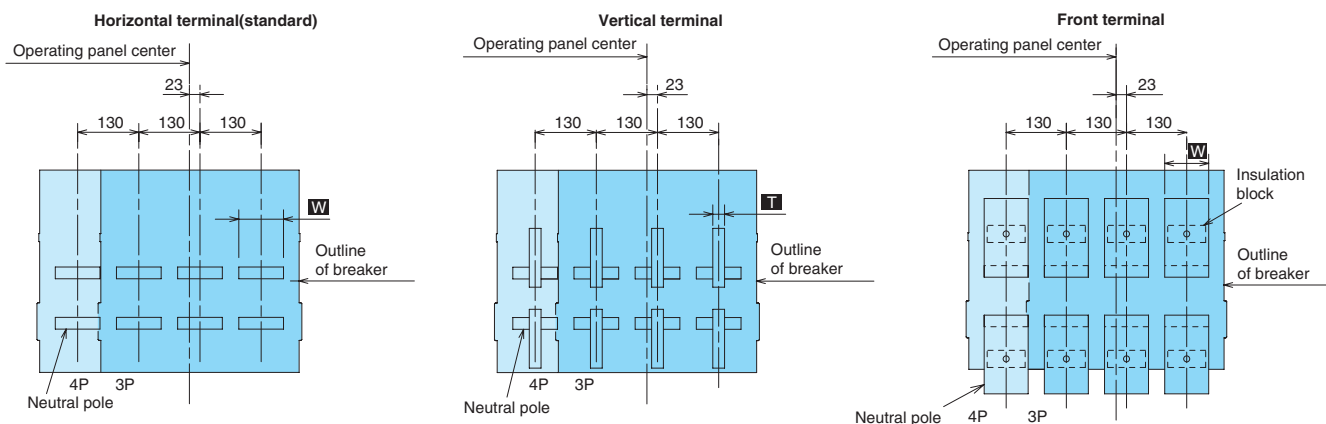


Side view

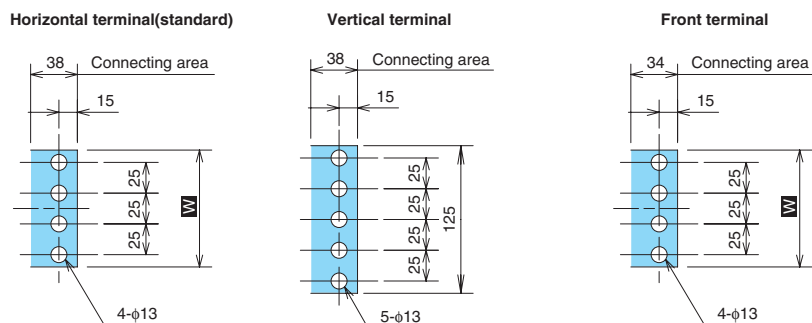


* : Mounting pitch
The numerals shown in parentheses are for 3 poles.

Rear view



Main circuit terminal dimensions



Dimensions (mm)	
Type	W
AE2000-SW AE2500-SW	95
AE3200-SW	103

