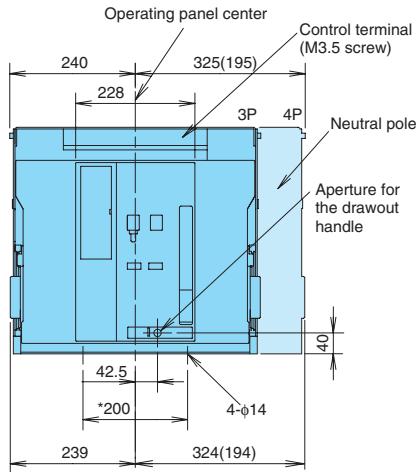


Drawout type AE4000-SWA

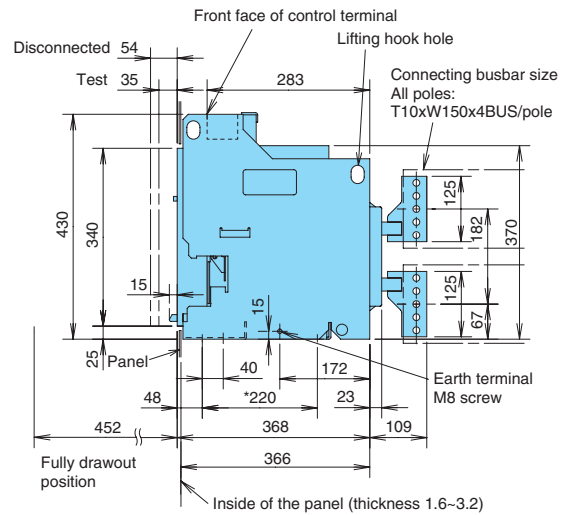
(mm)

Front view

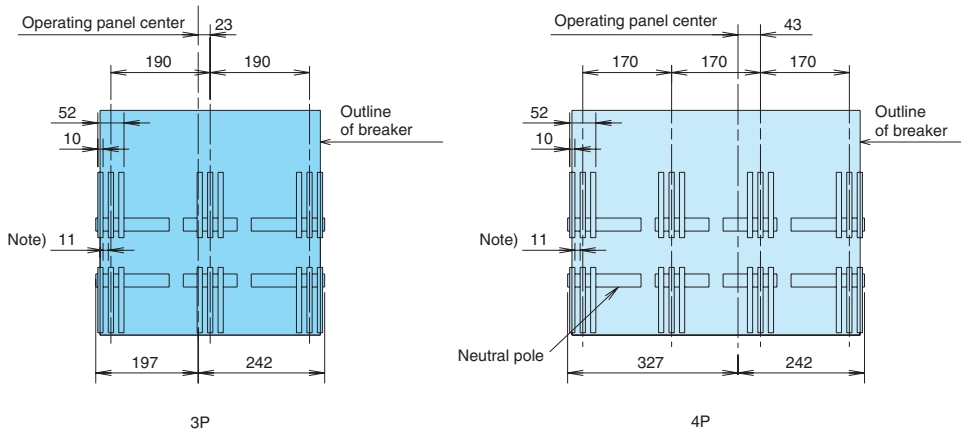


* : Mounting pitch
The numerals shown in parentheses are for 3 poles.

Side view

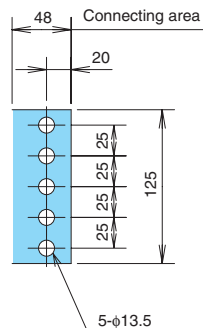


Rear view



Note) Spacers are not required when fastening connecting conductors (T10). The necessary contact area can be obtained with ACB terminal bent by tightening the screw.

Main circuit terminal dimension

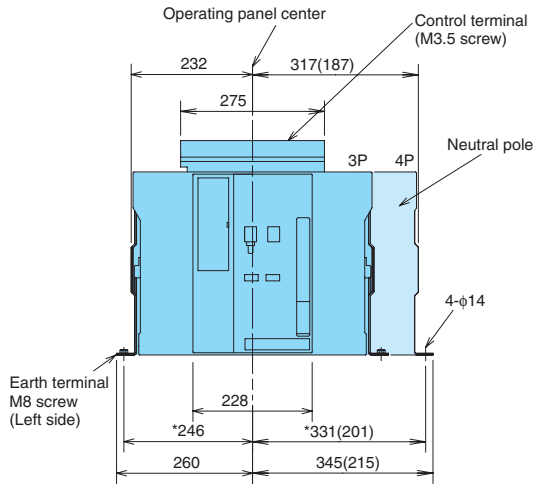


Outline dimensions

Fixed type AE400-SWA

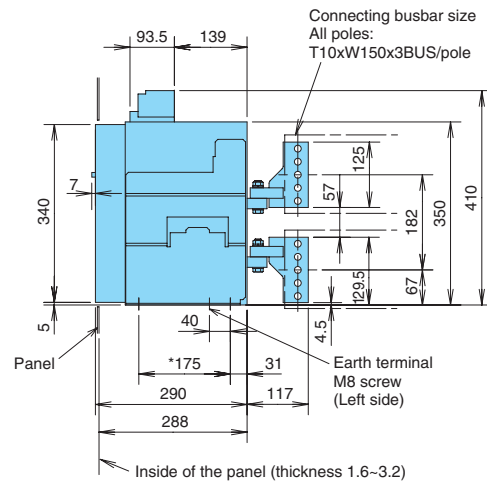
(mm)

Front view

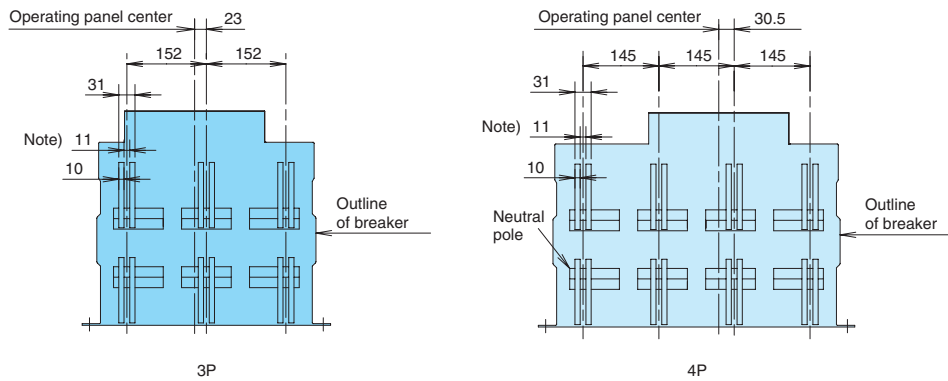


* : Mounting pitch
The numerals shown in parentheses are for 3 poles.

Side view



Rear view



Note) Spacers are not required when fastening connecting conductors (T10). The necessary contact area can be obtained with ACB terminal bent by tightening the screw.

Main circuit terminal dimension

