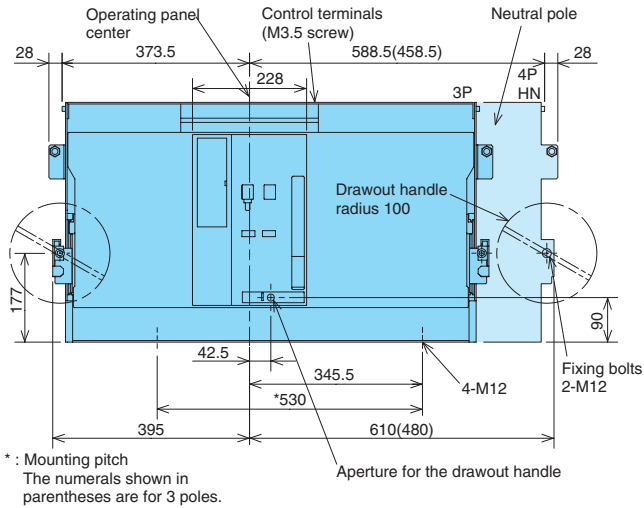


# Outline dimensions

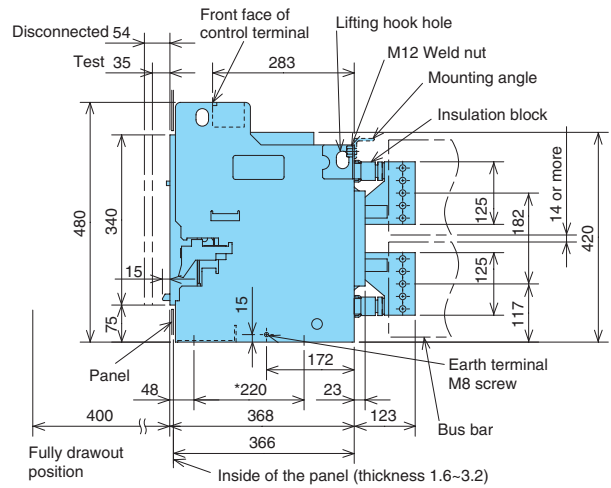
## Drawout type AE4000-SW, AE5000-SW, AE6300-SW

(mm)

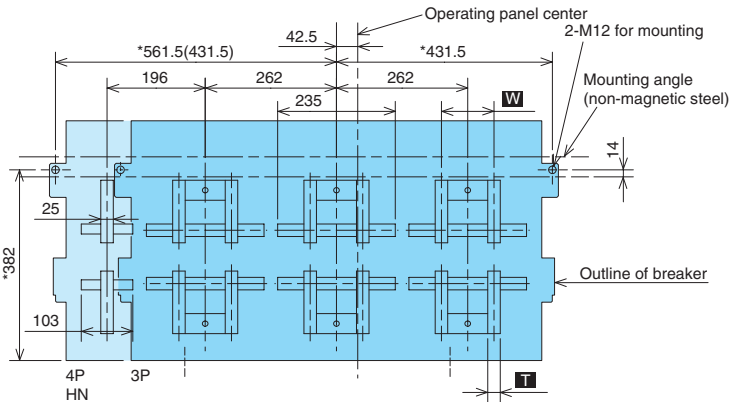
Front view



Side view

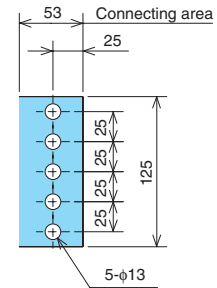


Rear view



The mounting angle should be prepared by the customer.

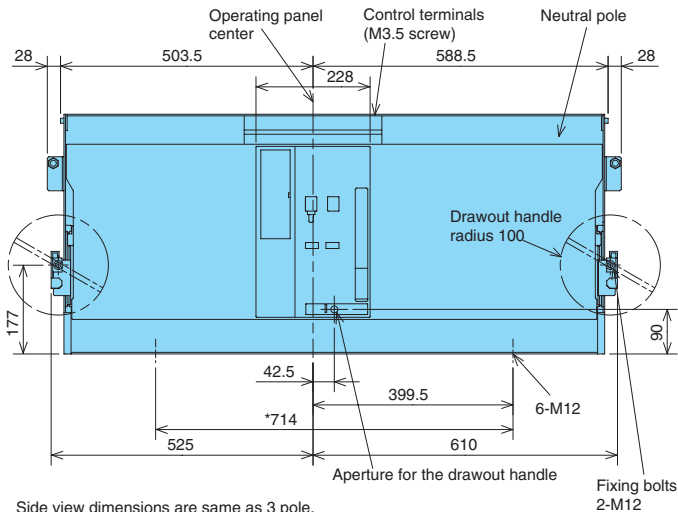
Main circuit terminal dimension



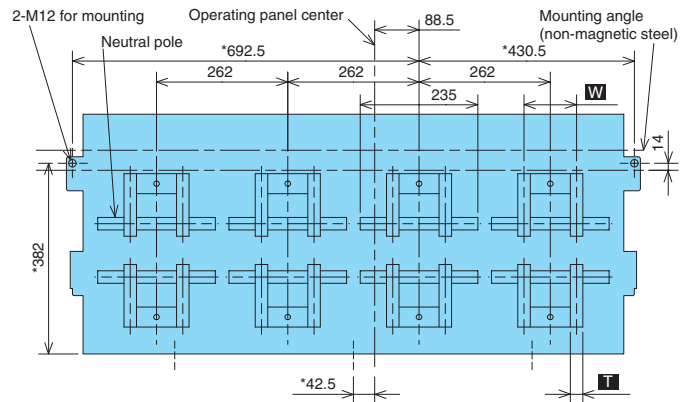
Dimensions		(mm)	
Type		W	T
AE4000-SW	AE5000-SW	100	20
AE6300-SW		105	25

## 4P FN type

Front view



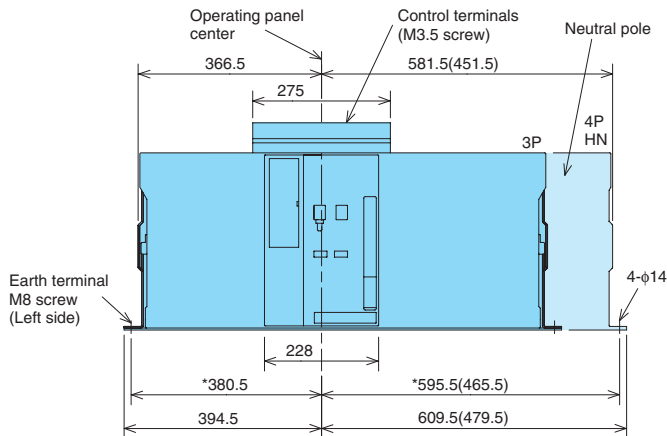
Rear view



## Fixed type AE400-SW, AE500-SW, AE630-SW

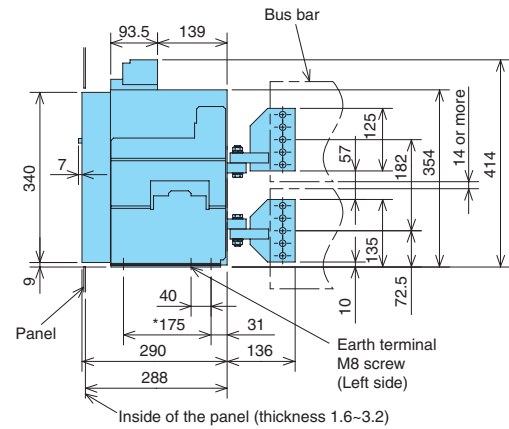
(mm)

Front view

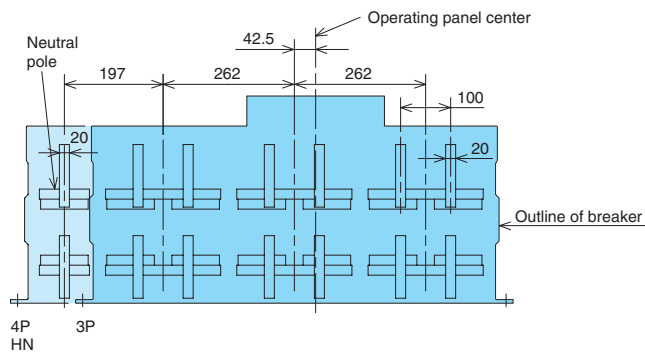


\* : Mounting pitch  
The numerals shown in parentheses are for 3 poles.

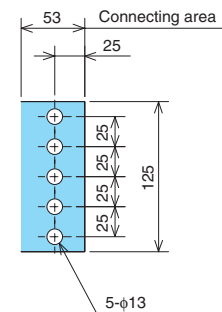
Side view



Rear view

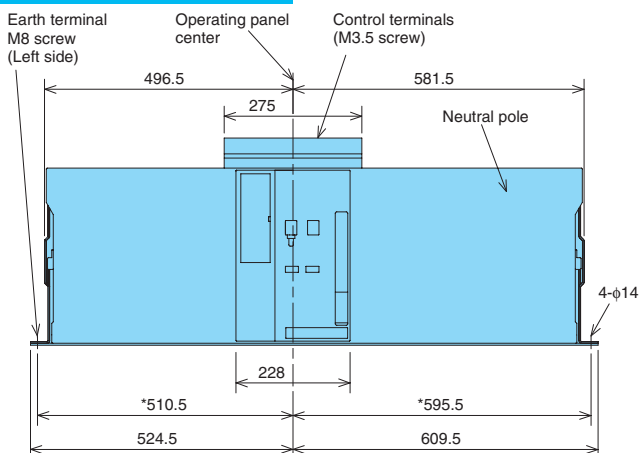


Main circuit terminal dimension

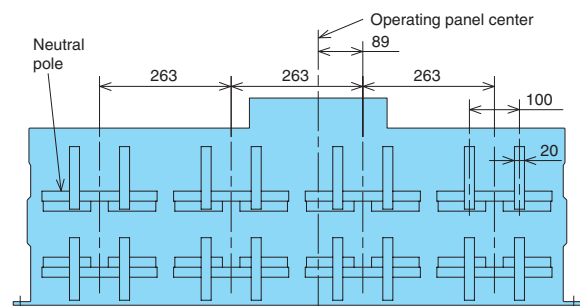


## 4P FN type

Front view



Rear view



Side view dimensions are same as 3 pole.