



for a greener tomorrow

Nov. 2018
GT Works3 Ver.1.205P

Graphic Operation Terminal GOT2000 NEWS Vol.10

Useful in ANDON applications **Digital Video Output Unit**



HDMI compatible monitor



GT27 model*



Digital video output unit

GT27-VHOUT

A digital video output unit with the HDMI terminal has been released. Since the GOT screen can be displayed on the large HDMI compatible monitor, this unit is recommended for ANDON applications.

* Supported by GT27 models only (excluding GT2705).

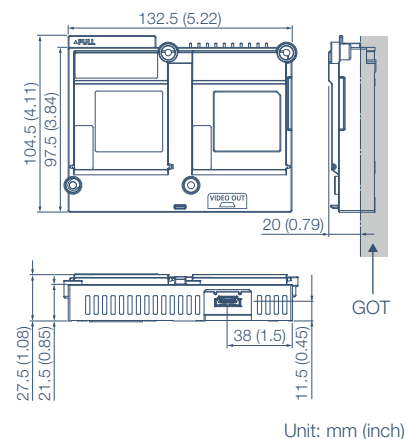
Digital video output unit specifications

The general specifications of the digital video output unit are the same as those of the GOT. For the general specifications of the GOT, please refer to the GOT2000 Series User's Manual (Hardware).

Performance specifications

Item		Specifications		
GOT		GT2715-X	GT2712-S GT2710-S GT2708-S	GT2710-V GT2708-V
Digital video output section	Output format	TMDS (Transition Minimized Differential Signaling)		
	Resolution	XGA: 1024 x 768 dots	SVGA: 800 x 600 dots	VGA: 640 x 480 dots
	Number of channels	1 channel		
	Horizontal frequency	48.4 kHz	37.9 kHz	31.5 kHz
	Vertical frequency	60 Hz		
Connector for external connection	HDMI Type A connector			
Internal current consumption	5 V DC	0.06 A		
Weight	0.16 kg (0.35 lb)			

External dimensions



New useful functions

■ Ethernet printer connection

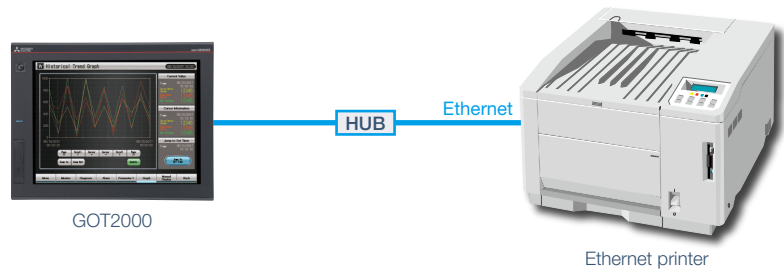
GT Works3 Ver.1.200J or later

✓GT27 ✓GT25 ✓GT23 □GT21

The GOT2000 Series can be used with Ethernet printers by connecting to Ethernet via the built-in Ethernet interface, Ethernet communication unit (GT25-J71E71-100), or wireless LAN communication unit (GT25-WLAN).

Compatible printer*1

Manufacturer	Model
SEIKO EPSON CORPORATION	LX-10000F
	PX-M7070FX
	PX-M840FX
	PX-S860
	PX-M5041F
	PX-M7050FP
	PX-M7110F
	PX-M781F
	EW-M770T
	EW-M5071FT



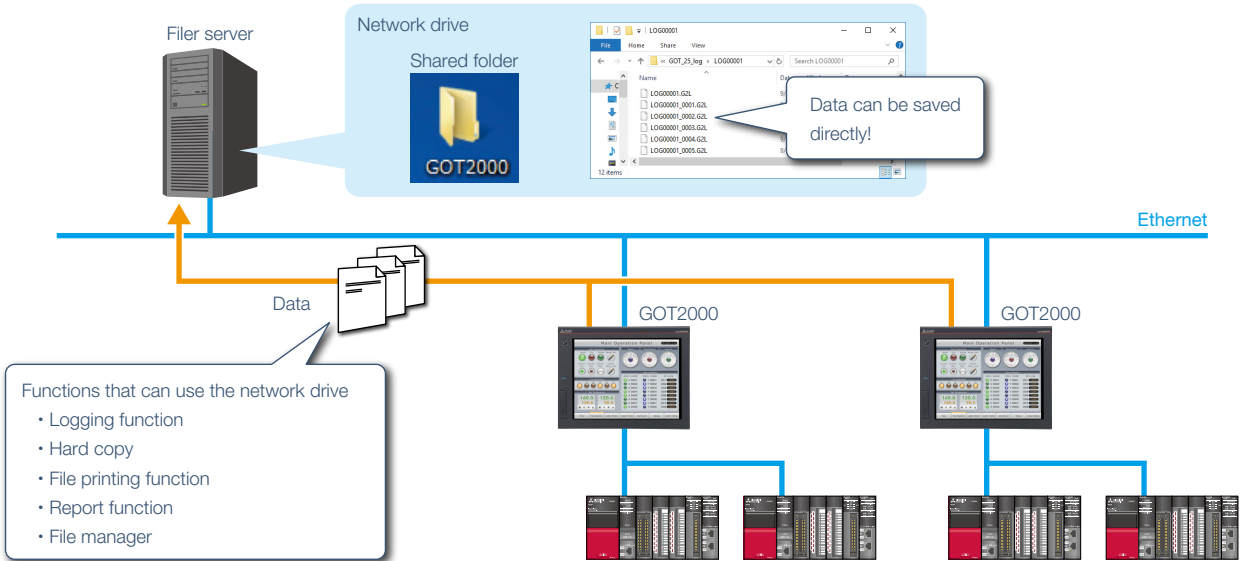
*1 For the latest list of valid devices applicable for the GOT2000 Series, please refer to the Technical Bulletin No. GOT-A-0064.

■ Network drive

GT Works3 Ver.1.205P or later

✓GT27 ✓GT25 □GT23 □GT21

The network drive can be used as the save destination for the GOT files. By setting the shared folder on the file server (personal computer) connected by Ethernet as the network drive, the files can be saved directly to the shared folder from the GOT. Use the external storage to accumulate data without considering the capacity limit.



The release date varies depending on the product and your region. For details, please contact your local sales office.

The actual color may differ slightly from the pictures in this catalog.
The actual display may differ from what are shown on GOT screen images.

⚠ Precautions for safe use
To use the products given in this publication properly, always read the relevant manuals before beginning operation.

Trademarks and registered trademarks
All product and company names used herein are either trademarks or registered trademarks of their respective owners.

MITSUBISHI ELECTRIC CORPORATION

HEAD OFFICE: TOKYO BLDG., 2-7-3, MARUNOUCHI, CHIYODA-KU, TOKYO 100-8310, JAPAN
NAGOYA WORKS: 1-14, YADA-MINAMI 5, HIGASHI-KU, NAGOYA, JAPAN

Country/Region Sales office
USA+1-847-478-2100
Mexico+52-55-3067-7511
Brazil+55-11-4689-3000
China+86-21-2322-3030
Taiwan+886-2-2299-2499
Korea+82-2-3660-9530

Singapore+65-6473-2308
Thailand+66-2682-6522 to 31
Indonesia+62-21-3192-6461
Vietnam+84-8-3910-5945
India+91-20-2710-2000
Australia+61-2-9684-7777

Germany+49-2102-486-0
UK+44-1707-28-8780
Italy+39-039-60531
Spain+34-935-65-3131
France+33-1-55-68-55-68
Czech+420-251-551-470

Turkey+90-216-526-3990
Poland+48-12-347-65-00
Russia+7-812-633-3497
South Africa+27-11-658-8100