



Open Field Network CC-Link

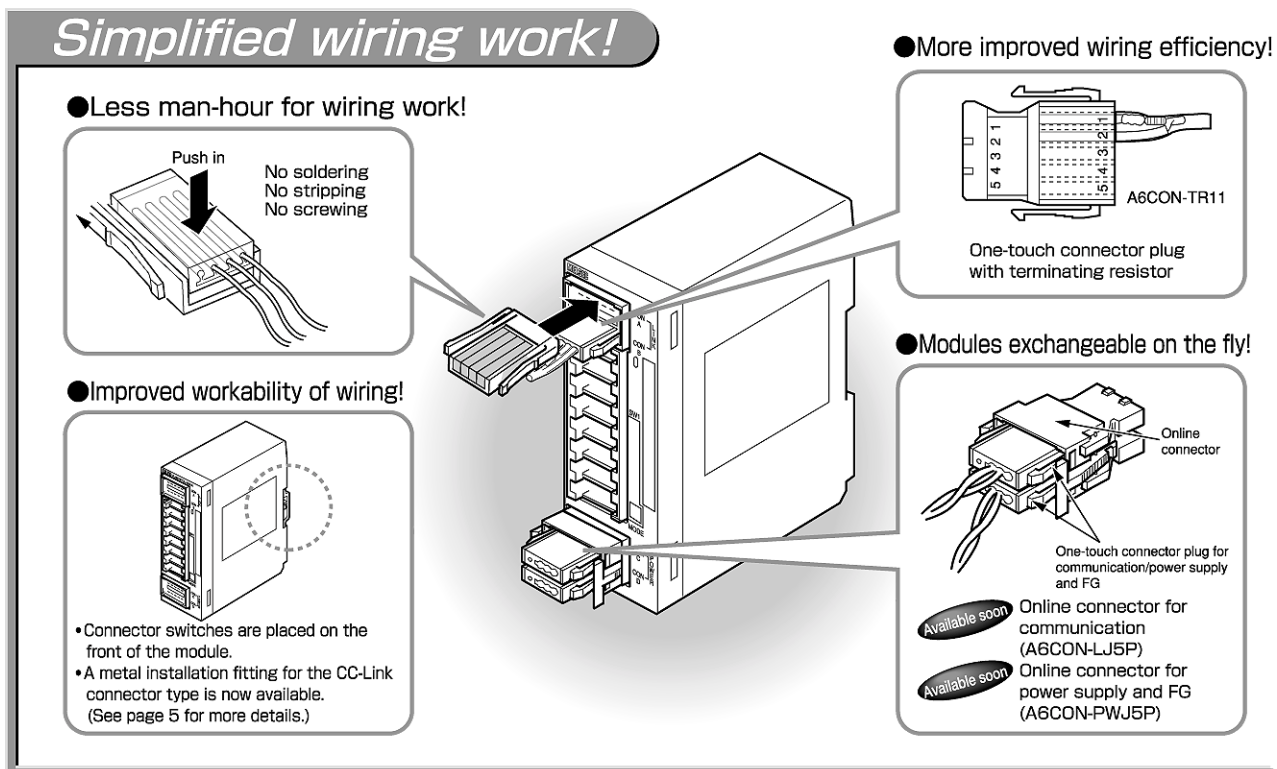
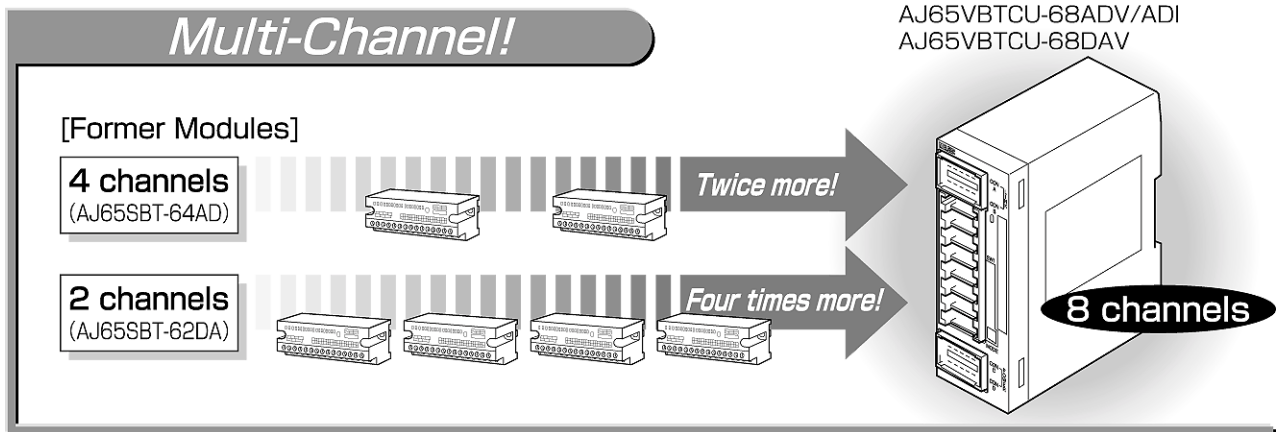
2001 No.148E

NEW PRODUCT RELEASE

Type AJ65VBTCU-68ADV Analog-Digital Converter Module
 Type AJ65VBTCU-68ADI Analog-Digital Converter Module
 Type AJ65VBTCU-68DAV Digital-Analog Converter Module
 Type A6PLT-J65V1, A6PLT-J65V2
 CC-Link Connector type Metal Installation Fitting

CC-Link

New!



[AJ65VBTCU-68ADV/ADI Performance Specifications]

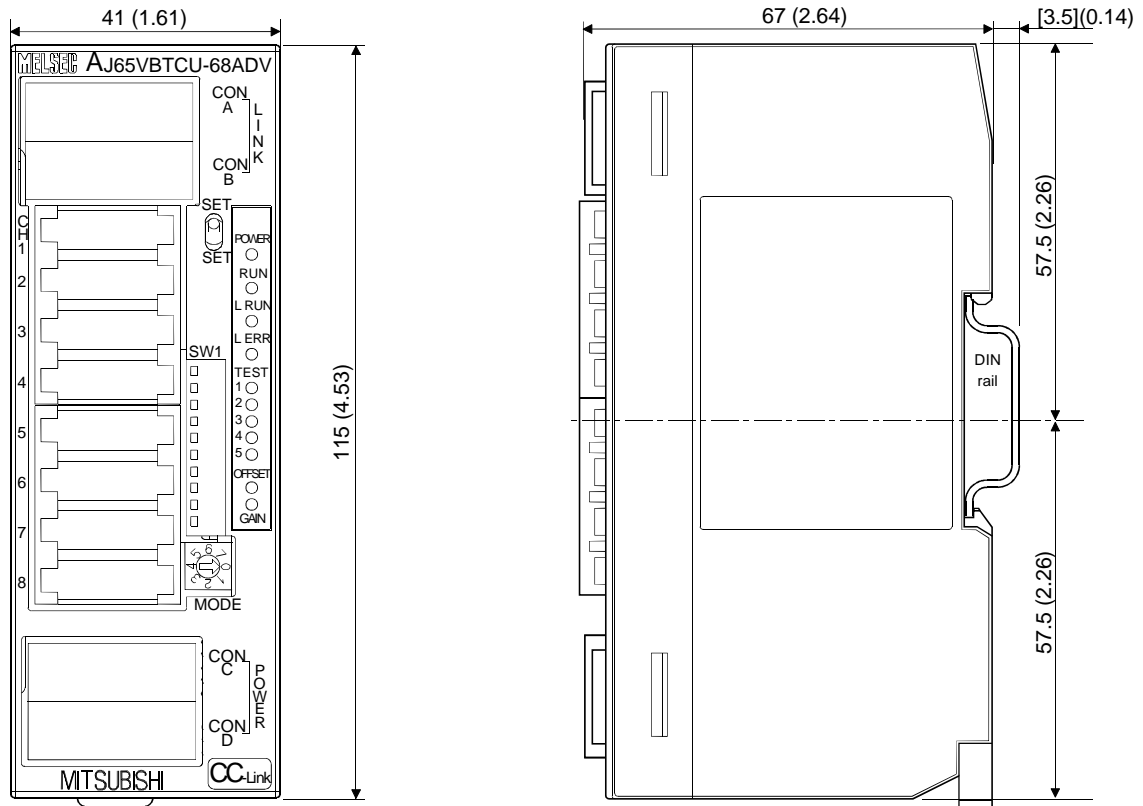
Item		AJ65VBTCU-68ADV	AJ65VBTCU-68ADI																															
Protection class		IP1XB																																
Analog input	Voltage	DC -10 to 0 to +10V (input resistance 1MΩ)	-																															
	Current	-	DC 0 to 20mA (input resistance 250Ω)																															
Digital output		16-bit signed binary (-4096 to +4095)	16-bit signed binary (-96 to +4095)																															
I/O characteristics, maximum resolution, accuracy (accuracy relative to maximum value of digital output value)		<table border="1"> <thead> <tr> <th rowspan="2"></th> <th rowspan="2">Analog input range</th> <th rowspan="2">Digital output</th> <th colspan="2">Accuracy</th> <th rowspan="2">Max. Resolution</th> </tr> <tr> <th>Ambient temperature 0 to 55°C</th> <th>Ambient temperature 25±5°C</th> </tr> </thead> <tbody> <tr> <td rowspan="4">AJ65VBTCU -68ADV (Voltage)</td> <td>-10 to +10V</td> <td rowspan="2">-4000 to +4000</td> <td rowspan="4">±0.3% (±12 digit*)</td> <td rowspan="4">±0.2% (±8 digit*)</td> <td rowspan="2">2.5mV</td> </tr> <tr> <td>User range setting 1 (-10 to +10V)</td> </tr> <tr> <td>0 to 5V</td> <td rowspan="2">0 to 4000</td> <td>1.25mV</td> </tr> <tr> <td>User range setting 2 (0 to 5V)</td> <td>1.0mV</td> </tr> <tr> <td rowspan="3">AJ65VBTCU -68ADI (Current)</td> <td>0 to 20mA</td> <td rowspan="3">0 to 4000</td> <td rowspan="3">±0.3% (±12 digit*)</td> <td rowspan="3">±0.2% (±8 digit*)</td> <td>5μA</td> </tr> <tr> <td>4 to 20mA</td> </tr> <tr> <td>User range setting (0 to 20mA)</td> <td>4μA</td> </tr> </tbody> </table>					Analog input range	Digital output	Accuracy		Max. Resolution	Ambient temperature 0 to 55°C	Ambient temperature 25±5°C	AJ65VBTCU -68ADV (Voltage)	-10 to +10V	-4000 to +4000	±0.3% (±12 digit*)	±0.2% (±8 digit*)	2.5mV	User range setting 1 (-10 to +10V)	0 to 5V	0 to 4000	1.25mV	User range setting 2 (0 to 5V)	1.0mV	AJ65VBTCU -68ADI (Current)	0 to 20mA	0 to 4000	±0.3% (±12 digit*)	±0.2% (±8 digit*)	5μA	4 to 20mA	User range setting (0 to 20mA)	4μA
			Analog input range	Digital output	Accuracy				Max. Resolution																									
					Ambient temperature 0 to 55°C	Ambient temperature 25±5°C																												
		AJ65VBTCU -68ADV (Voltage)	-10 to +10V	-4000 to +4000	±0.3% (±12 digit*)	±0.2% (±8 digit*)	2.5mV																											
			User range setting 1 (-10 to +10V)																															
			0 to 5V	0 to 4000			1.25mV																											
			User range setting 2 (0 to 5V)				1.0mV																											
		AJ65VBTCU -68ADI (Current)	0 to 20mA	0 to 4000	±0.3% (±12 digit*)	±0.2% (±8 digit*)	5μA																											
			4 to 20mA																															
			User range setting (0 to 20mA)				4μA																											
* : digit indicates digital value.																																		
Maximum conversion speed		1ms/1 channel																																
Absolute maximum input		Voltage ±15 V	current ±30mA																															
Analog input points		8 channels/1module																																
CC-Link station type		Remote device station																																
Number of occupied stations		3 station (RX/Ry: each 32 points, RWr/RWw: each 12 points)																																
Communication cable		Ver. 1.10 compatible CC-Link dedicated cable: FANC-110SBH, FA-CBL200PSBH, CS-110																																
Dielectric withstand voltage		Between power supply/communication system batch and analog input batch: 500VAC, 1 minute																																
Insulation method		Across communication system terminals and all analog input terminals: Photocoupler isolated Across power supply system terminals and all analog input terminals: Photocoupler isolated Across channels: Non-isolated																																
Noise durability		By noise simulator of 500Vp-p noise voltage, 1μs noise width and 25 to 60Hz noise frequency																																
External wiring system		One-touch connector for communication [Transmission circuit] (5 pins pressure welding type, the plug for the connector is sold separately) One-touch connector for power supply and FG [Unit power supply and FG] (5 pins pressure welding type, the plug for the connector is sold separately) One-touch connector for analog I/O (4 pins pressure welding type, the plug for the connector is sold separately) <Sold separately> Online connector for communication : A6CON-LJ5P Online connector for power supply : A6CON-PWJ5P																																
Applicable wire size	One-touch connector for communication	Communication line: Ver. 1.10 compatible CC-Link dedicated cable 0.5mm ² (AWG20) [φ2.2 to 3.0], shielded wire 0.5mm ² (AWG20)																																
	One-touch connector for power supply/FG	0.66 to 0.98 mm ² (AWG18) [φ2.2 to 3.0] Wire diameter 0.08 mm ² or more																																
	One-touch connector for analog I/O	φ1.0 to 1.4 (A6CON-P214), φ1.4 to 2.0 (A6CON-P220) [Applicable cable size : 0.14 to 0.2 mm ²] φ1.0 to 1.4 (A6CON-P514), φ1.4 to 2.0 (A6CON-P520) [Applicable cable size : 0.3 to 0.5 mm ²]																																
Applicable DIN rail		TH35-7.5Fe, TH35-7.5Al (compliant with JIS C 2812) CC-Link connector type metal installation fitting: A6PLT-J65V1																																
External power supply		DC24V (DC20.4V to DC26.4V, ripple factor within 5%) Inrush current : 4.2A, within 1.2ms Current consumption 0.10A																																
Weight		0.17kg																																

[AJ65VBTCU-68DAV Performance Specifications]

Item		AJ65VBTCU-68DAV				
Protection class		IP1XB				
Digital input		16-bit signed binary (-4096 to +4095)				
Analog output		-10 to +10VDC (external load resistance: 2kΩ to 1MΩ)				
I/O characteristics, maximum resolution, accuracy (accuracy relative to maximum value of analog output value)				Accuracy		
		Digital Input Value	Analog Output Range	Ambient temperature 0 to 55°C	Ambient temperature 25±5°C	Max. Resolution
		-4000 to +4000	-10 to +10V	±0.3% (±30mV)	±0.2% (±20mV)	2.5mV
			User range setting 1 (-10 to +10V)			
		0 to 4000	0 to 5V	±0.3% (±15mV)	±0.2% (±10mV)	1.25mV
1 to 5V						
User range setting 2 (0 to 5V)	1.0mV					
Maximum conversion speed		1ms/1 channel				
Output short-circuit protection		Provided				
Absolute maximum output		±12V				
Number of analog output points		8 channels/1 module				
CC-Link station type		Remote device station				
Number of occupied stations		3 station (RX/RV: 32 points each, RWr/RWw: 12 points each)				
Communication cable		Ver. 1.10 compatible CC-Link dedicated cable FANC-110SBH, FA-CBL200PSBH, CS-110				
Dielectric withstand voltage		500VAC for 1 minute across all power supply and communication system terminals and all analog output terminals				
Insulation method		Across communication system terminals and all analog output terminals: Photocoupler isolated Across power supply system terminals and all analog output terminals: Photocoupler isolated Across channels: Non-isolated				
Noise durability		By noise simulator of 500Vp-p noise voltage, 1μs noise width and 25 to 60Hz noise frequency				
External wiring system		One-touch connector for communication [Transmission circuit] (5 pins pressure welding type, the plug for the connector is sold separately) One-touch connector for power supply and FG [Unit power supply and FG] (5 pins pressure welding type, the plug for the connector is sold separately) One-touch connector for analog I/O (4 pins pressure welding type, the plug for the connector is sold separately) <Sold separately> Online connector for communication : A6CON-LJ5P Online connector for power supply : A6CON-PWJ5P				
Applicable wire size	One-touch connector for communication	Communication line: Ver. 1.10 compatible CC-Link dedicated cable 0.5mm ² (AWG20) [φ2.2 to 3.0], shielded wire 0.5mm ² (AWG20)				
	One-touch connector for power supply/FG	0.66 to 0.98 mm ² (AWG18) [φ2.2 to 3.0] Wire diameter 0.08 mm ² or more				
	One-touch connector for analog I/O	φ1.0 to 1.4 (A6CON-P214), φ1.4 to 2.0 (A6CON-P220) [Applicable cable size : 0.14 to 0.2 mm ²] φ1.0 to 1.4 (A6CON-P514), φ1.4 to 2.0 (A6CON-P520) [Applicable cable size : 0.3 to 0.5 mm ²]				
Applicable DIN rail		TH35-7.5Fe, TH35-7.5Al (compliant with to JIS C 2812) CC-Link connector type metal installation fitting : A6PLT-J65V1				
External supply power		DC24V (DC20.4V to DC26.4V, ripple factor within 5%) Inrush current : 4.3A, within 1.2ms Current consumption 0.15A				
Weight		0.16kg				

[External Dimension Diagram]

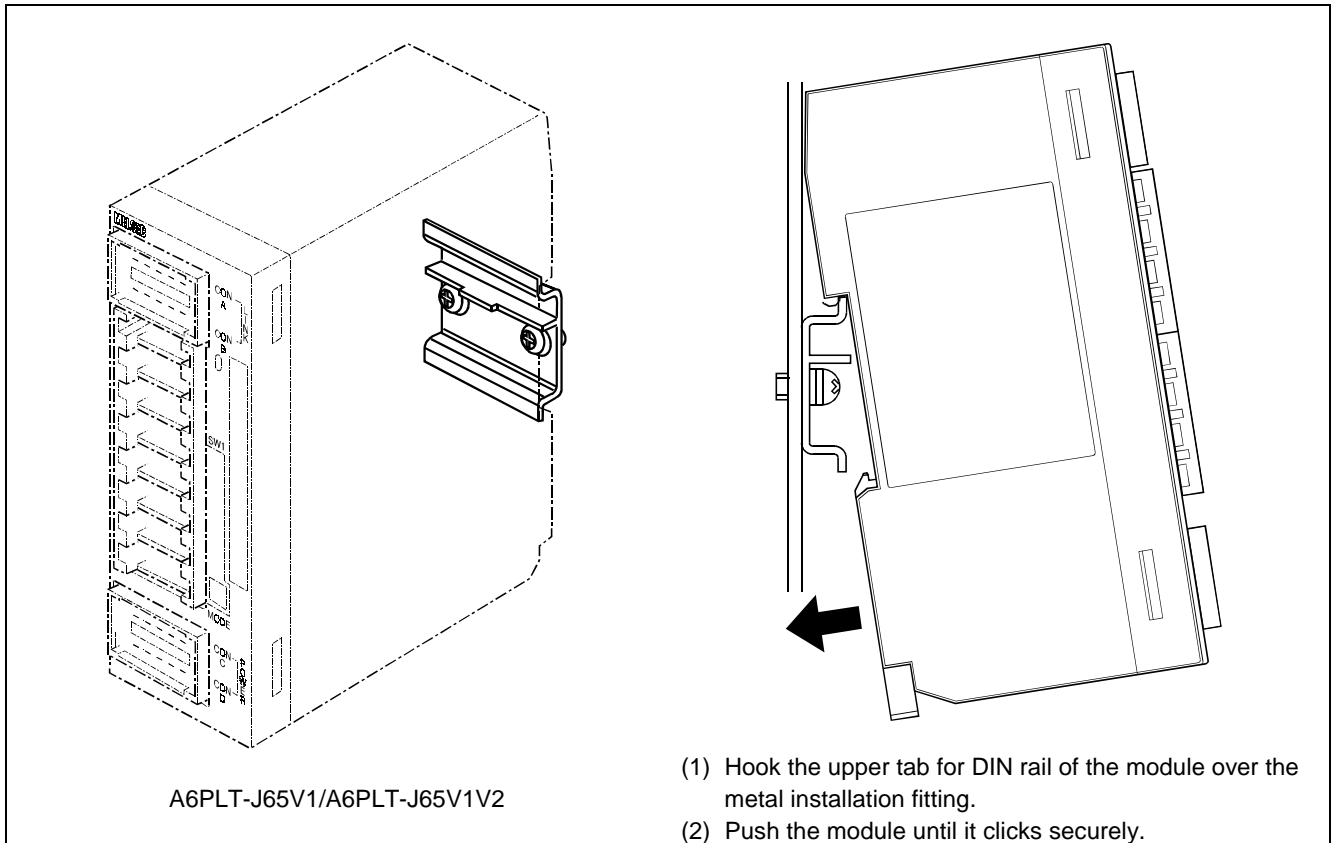
The following figures show the AJ65VBTCU-68ADV. The dimensions are the same for the AJ65VBTCU-68ADI and the AJ65VBTCU-68DAV.



[Manuals]

Manual name	Manual shipping form	IB/SH No.	Model code
Type AJ65VBTCU-68ADV/ADI Analog-Digital Converter Module User's Manual (Hardware)	Enclosed with product	IB-0800200	13JT62
Type AJ65VBTCU-68ADV/ADI Analog- Digital Converter Module User's Manual	Sold separately	SH-080181	13JR41
Type AJ65VBTCU-68DAV Digital -Analog Converter Module User's Manual (Hardware)	Enclosed with product	IB-0800201	13JT63
Type AJ65VBTCU-68DAV Digital -Analog Converter Module User's Manual	Sold separately	SH-080182	13JR42

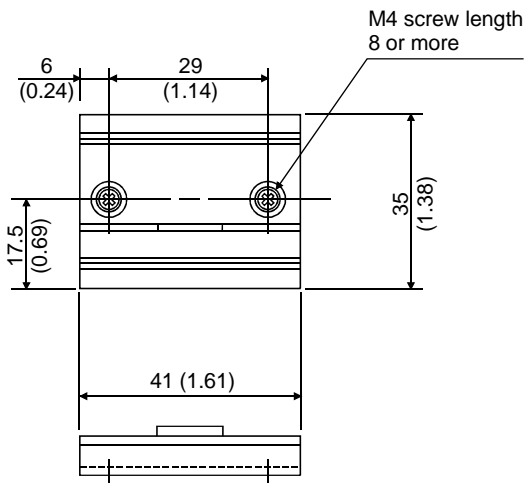
[A6PLT-J65V1, A6PLT-J65V2]



[Installation Dimensions]

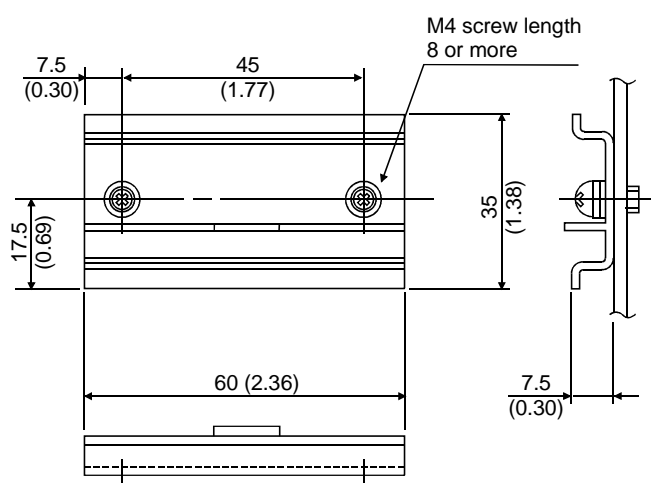
(1) A6PLT-J65V1

(Used only for 41mm width modules)



(2) A6PLT-J65V2

(Used only for 60mm width modules)



Unit : mm (inch)

[Manuals]

Manual name	Manual shipping form	Manual number	Model code
CC-Link Connector Type Metal Installation Fitting A6PLT-J65V1, A6PLT-J65V2 Instruction Manual	Enclosed with product	BCN-P5471-A	-
CC-Link System Compact Type Remote I/O Module User's Manual	Sold separately	SH-4007	13JL72

Country/Region	Sales office	Tel/Fax
U.S.A	Mitsubishi Electric Automation Inc. 500 Corporate Woods Parkway Vernon Hills, IL 60061	Tel : 1-847-478-2100 Fax : 1-847-478-0328
Brazil	MELCO-TEC Rep. Com.e Assessoria Tecnica Ltda. Av. Rio Branco, 123-15 ,and S/1507, Rio de Janeiro, RJ CEP 20040-005, Brazil	Tel : 55-21-221-8343 Fax : 55-21-221-9388
Germany	Mitsubishi Electric Europe B.V. German Branch Gothaer Strasse 8 D-40880 Ratingen, GERMANY	Tel : 49-2102-486-0 Fax : 49-2102-486-717
U.K	Mitsubishi Electric Europe B.V. UK Branch Travellers Lane, Hatfield, Herts., AL10 8XB,UK	Tel : 44-1707-276100 Fax : 44-1707-278695
Italy	Mitsubishi Electric Europe B.V. Italian Branch Centro Dir. Colleoni, Pal. Perseo - Ingr.2 Via Paracelso 12, 20041 Agrate B., Milano, Italy	Tel : 39-039-6053301 Fax : 39-039-6053312
Spain	Mitsubishi Electric Europe B.V. Spanish Branch Carretera de Rubi 76-80 08190 - Sant Cugat del Valles, Barcelona, Spain	Tel : 34-935-653135 Fax : 34-935-891579
South Africa	Circuit Breaker Industries LTD. Private Bag 2016, Isando 1600, Johannesburg, South Africa	Tel : 27-11-928-2000 Fax : 27-11-392-2354
Hong Kong	Ryoden International Ltd. 10th Floor, Manulife Tower, 169 Electric Road, North Point, HongKong	Tel : 852-2887-8870 Fax : 852-2887-7984
China	Ryoden International Shanghai Ltd. 3F Block5 Building Automation Instrumentation Plaza 103 Cao Bao Rd. Shanghai 200233 China	Tel : 86-21-6475-3228 Fax : 86-21-6484-6996
Taiwan	Setsuyo Enterprise Co., Ltd. 6F., No.105 Wu-Kung 3rd.RD, Wu-Ku Hsiang, Taipei Hsine, Taiwan R.O.C.	Tel : 886-2-2299-2499 Fax : 886-2-2299-2509
Korea	HAN NEUNG TECHNO CO.,LTD. 1F Dong Seo Game Channel Bldg., 660-11,Deungchon-dong Kangsec-ku, Seoul, Korea	Tel : 82-2-3668-6567 Fax : 82-2-3664-8335
Singapore	Mitsubishi Electric Asia Pte, Ltd. 307 ALEXANDRA ROAD #05-01/02, MITSUBISHI ELECTRIC BUILDING SINGAPORE 159943	Tel : 65-473-2480 Fax : 65-476-7439
Thailand	F. A. Tech Co.,Ltd. 898/28,29,30 S.V.CITY BUILDING,OFFICE TOWER 2,FLOOR 17-18 RAMA 3 ROAD,BANGKONGPANG,YANNAWA,BANGKOK 10120	Tel : 66-2-682-6522 Fax : 66-2-682-6020
Indonesia	P.T. Autoteknindo SUMBER MAKMUR JL. MUARA KARANG SELATAN BLOK A UTARA NO.1 KAV. NO.11 KAWASAN INDUSTRI/ PERGUDANGAN JAKARTA - UTARA 14440	Tel : 62-21-663-0833 Fax : 62-21-663-0832
India	Messung Systems Put,Ltd. Electronic Sadan NO:111 Unit No15, M.I.D.C BHOSARI,PUNE-411026	Tel : 91-20-7128927 Fax : 91-20-7128108
Australia	Mitsubishi Electric Australia Pty. Ltd. 348 Victoria Road, PostalBag, No 2, Rydalmere, N.S.W 2116, Australia	Tel : 61-2-9684-7777 Fax : 61-2-9684-7245

MITSUBISHI ELECTRIC CORPORATION

HEAD OFFICE : 1-8-12, OFFICE TOWER Z 14F HARUMI CHUO-KU 104-6212, JAPAN
NAGOYA WORKS : 1-14, YADA-MINAMI5, HIGASHI-KU, NAGOYA, JAPAN