



GENERAL-PURPOSE
PROGRAMMABLE CONTROLLERS

CC-Link

1998 No.92E

NEW PRODUCT RELEASE

**Compact Remote I/O Module for AJ65SBTB1-8D, AJ65SBTC4-16D,
AJ65SBTB1-8T, and AJ65SBTC4-16DT type CC-Link Systems**

New!

Two terminal block type models, two one-touch connector type models, are now available for the CC-Link system compact remote I/O module. Our lineup of CC-Link system compact remote I/O modules is ever more diversified.

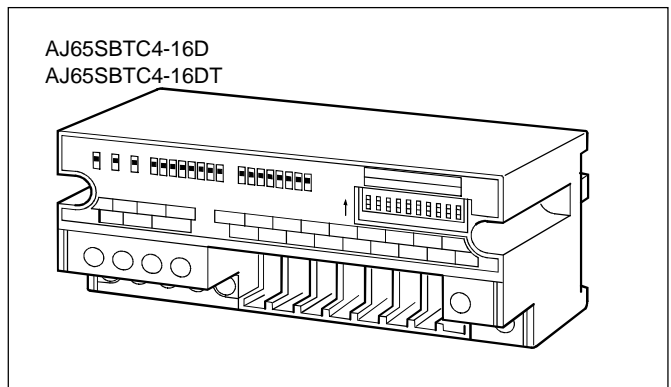
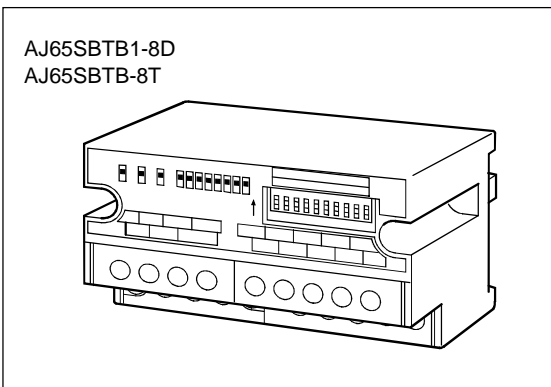
[Features]

(1) Diverse compact remote I/O module lineup!

The remote I/O module's available No. of input/output points has also been increased to the 8-point type in addition to the 16-point and 32-point types. With three types lined up, the optimum module can be selected to match the installation environment and usage applications.

(2) Line up of 4-wire system compact remote I/O module!

- Each plug has a common pin, so a 4-wire system sensor can be easily connected without providing a relay terminal board.
- With the 4-wire system compact remote I/O module, one sensor is connected to one plug. When the sensor is replaced, it can be replaced in plug units, so the work man-hours can be reduced.



The Mitsubishi general-purpose programmable controller is manufactured at a factory certified for the environment management system standards (ISO14001) and the quality system standards (ISO9001)



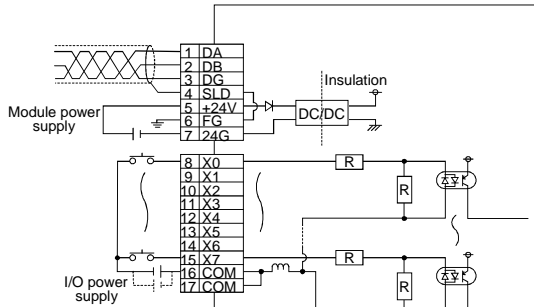
EC97J1113



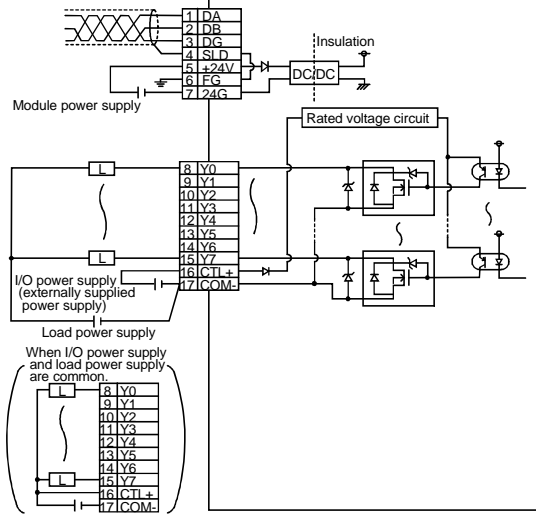
48454

[External Connection Diagrams]

AJ65SBTB1-8D

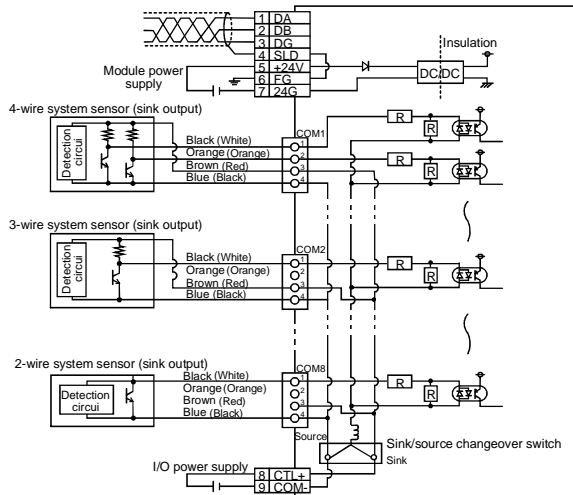


AJ65SBTB1-8T

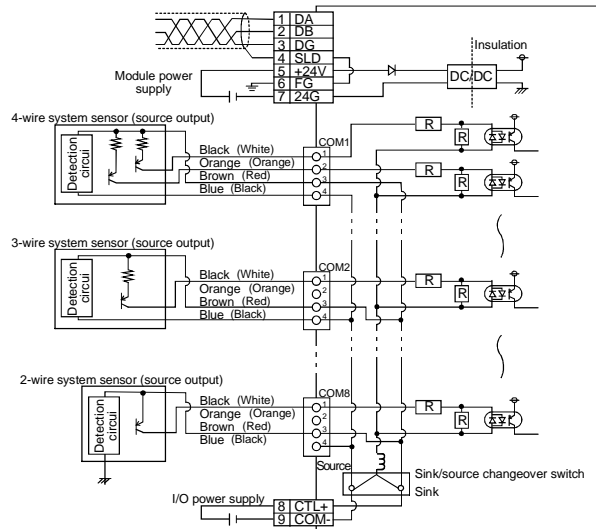


AJ65SBTC4-16D

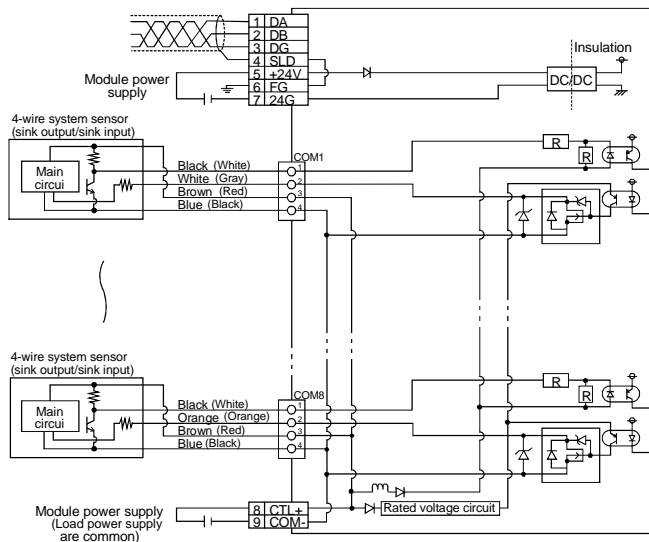
For sink input



For source input



AJ65SBTC4-16DT



Module type	Type	Specifications
Terminal type 1-wire system DC input module (sink/source common)	AJ65SBTB1-8D	1-wire system 24VDC input 8 points 7mA/point 8 points per common
One-touch connector type 4-wire system DC input module (for eight sensors) (Sink/source common (change over with setting pin))	AJ65SBTC4-16D	2, 3, 4-wire system 24VDC input 16 points 5mA/point 16 points per common One-touch connector plug (four types): Sold separately
Terminal block type 1-wire system transistor output module (sink type)	AJ65SBTB1-8T	1-wire system transistor output 8 points 0.5A/point 8 points per common
One-touch connector type 4-wire system DC input Transistor output compound module (for eight sensors) (Sink/source common (changeover with setting pin))	AJ65SBTC4-16DT	2, 3, 4-wire system 24VDC input 8 points 5mA/point 8 points per common 2, 3, 4-wire system transistor output 8 points 0.5A/point 8 points per common One-touch connector plug (4 types): Sold separately

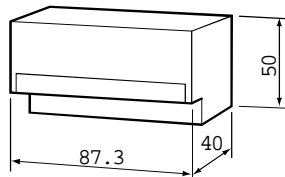
(*1) To be marketed soon

[Option parts]

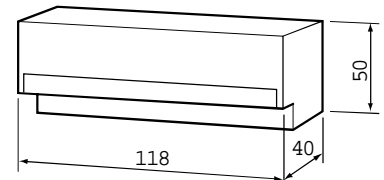
Part name	Type	Specifications	
		Applicable cable wire size (mm)	Applicable cable outer diameter size (mm)
One-touch connector plug (20 pc. set)	A6CON-P214	0.14 ~ 0.2 (AWG#26 ~ 24)	φ1.0 ~ 1.4
	A6CON-P220		φ1.4 ~ 2.0
	A6CON-P514	0.3 ~ 0.5 (AWG#22 ~ 20)	φ1.0 ~ 1.4
	A6CON-P520		φ1.4 ~ 2.0

[Outline Dimensions]

AJ65SBTB1-8D
AJ65SBTB1-8T



AJ65SBTC4-16D
AJ65SBTC4-16DT



Unit: mm

[Manuals]

Manual name	Manual shipment type	IB/SH No.	Type Code
AJ65SBTB1-8D CC-Link System Small Type Remote I/O Module User's Manual	Enclosed with product	IB-68989	—
AJ65SBTC4-16D CC-Link System Small Type Remote I/O Module User's Manual	Enclosed with product	IB-68990	—
AJ65SBTB1-8T CC-Link System Small Type Remote I/O Module User's Manual	Enclosed with product	IB-68992	—
AJ65SBTW4-16DT CC-Link System Small Type Remote I/O Module User's Manual	Enclosed with product	IB-68993	—
CC-Link System Small Type Remote I/O Module User's Manual (Details Section)	Sold separately	SH-4007	13JL72

U.S.A	Mitsubishi Electric Automation Inc. 500 Corporate Woods Parkway Vernon Hills, IL 60061	Tel : 1-847-478-2100 FAX: 1-847-478-0328
Brazil	MELCO-TEC Rep. Com.e Assessoria Tecnica Ltda. Av. Rio Branco, 123-15 ,and S/1507, Rio de Janeiro, RJ CEP 20040-005, Brazil	Tel : 55-21-221-8343 FAX: 55-21-221-9388
U.K	Mitsubishi Electric Europe B.V. UK Branch Travellers Lane, Hatfield, Herts., AL10 8XB,UK	Tel : 44-1707-276100 FAX: 44-1707-278695
Germany	Mitsubishi Electric Europe B.V. German Branch Gothaer Strasse 8 D-40880 Ratingen, GERMANY	Tel : 49-2102-486-0 FAX: 49-2102-486-717
South Africa	MSA Manufacturing (Pty) Ltd. P O Box 39733 Bramley 201 8 Johannesburg, South Africa	Tel : 27-11-444-8080 FAX: 27-11-444-8304
India	Messung Systems Put,Ltd. Electronic Sadan NO:111 Unit No15, M.I.D.C BHOSARI,PUNE-411026	Tel : 91-212-793130 FAX: 91-212-798108
Singapore	Mitsubishi Electric Asia Pte, Ltd. 307 ALEXANDRA ROAD #05-01/02, MITSUBISHI ELECTRIC BUILDING SINGAPORE 159943	Tel : 65-470-2480 FAX: 65-476-7439
Indonesia	P.T. Autoteknindo SUMBER MAKMUR Kompleks Agung Sedayu Propertindo (Harco Mangga Dua) Blok H No.4 Jl Mangga Dua Raya Jakarta Pusat 10730-Indonesia.	Tel : 62-21-336292 FAX: 62-21-330378
Thailand	F. A. Tech Co.,Ltd. 1138/33-34 Rama 3 Road, Yannawa, Bangkok 10120, Thailand	Tel : 66-2-295-2861 FAX: 66-2-295-2865
Hong Kong	Ryoden International Ltd. 10th Floor, Manulife Tower, 169 Electric Road, North Point, HongKong	Tel : 852-2887-8870 FAX: 852-2887-7984
China	Ryoden International Shanghai Ltd. 3F Block5 Building Automation Instrumentation Plaza 103 Cao Bao Rd. Shanghai 200233 China	Tel : 86-21-6475-3228 FAX: 86-21-6484-6996
Taiwan	Setsuyo Enterprise Co., Ltd. 6F., No.105 Wu-Kung 3rd.RD, Wu-Ku Hsiang, Taipei Hsine, Taiwan R.O.C.	Tel : 886-2-2299-2499 FAX: 886-2-2299-2509
Australia	Mitsubishi Electric Australia Pty. Ltd. 348 Victoria Road, PostalBag, No 2, Rydalmere, N.S.W 2116, Australia	Tel : 61-2-9684-7777 FAX: 61-2-9684-7245



MITSUBISHI ELECTRIC CORPORATION

HEAD OFFICE MITSUBISHI DENKI BLDG. MARUNOUCHI. TOKYO 100-0005. TELEX J24532 CABLE MELCO TOKYO