

Precautions for the Connection of the MR-J4(W)-B and QD74MH in the J3 Compatibility Mode

Thank you for your continued patronage of the Mitsubishi general-purpose AC servo and FA products. We will inform you of precautions for the connection in the J3 compatibility mode for the combination of the MR-J4(W)-B series and QD74MH.

Check the following sections. We ask for your understanding in this matter.

1. Target Models

Servo amplifiers: MR-J4-_B_, 100 W to 22 KW
 MR-J4W2-_B_, 200 W to 1 KW
 MR-J4W3-_B_, 200 W to 400 W

Controller: QD74MH

The precautions are for the above servo system controller only.

2. Precautions for the Connection with QD74MH

When an MR-J4(W)-B series servo amplifier is connected to QD74MH, the servo amplifier will operate in the J3 compatibility mode which is compatible with the conventional MR-J3-B series.

When you use a driving motor with other than the rotary servo motor as shown in Figure 1, the "MR-J4(W)-B mode selection tool" (Note) is required to set the operation mode for each axis.

When you do not set the operation mode by using this tool, "Ab." will be displayed on the LED of the servo amplifier, and the SSCNETIII communication with the controller will not be established.

Note. Refer to "3. Remedies".

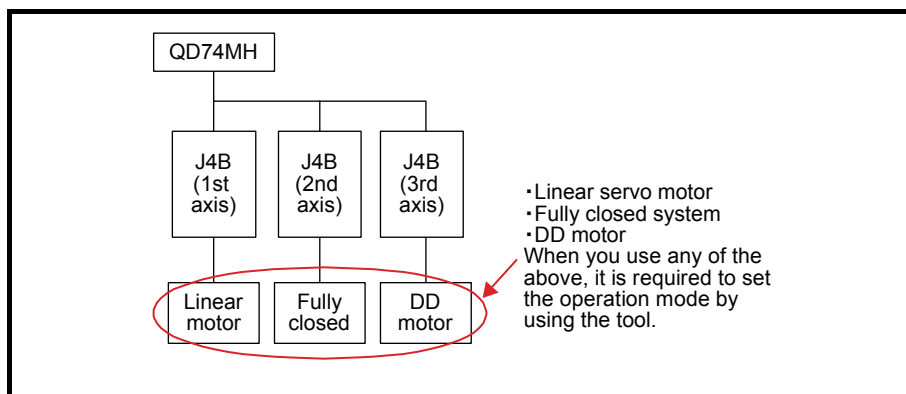


Figure 1. Example of the system configuration which requires operation mode setting for the connection with QD74MH

Date of issue	November 2013	Title	Precautions for the Connection of the MR-J4(W)-B and QD74MH in the J3 Compatibility Mode	Mitsubishi Electric Corp., Nagoya Works 5-1-14 Yada-minami, Higashi-ku, Nagoya 461-8670 Tel.: +81 (52) 721-2111 Main line
----------------------	---------------	--------------	--	--

3. Remedies

When using a motor other than the rotary servo motor with the QD74MH controller, set the operation mode manually in accordance with the connected motor by using the "MR-J4(W)-B mode selection tool" included in MR Configurator2.

The "mode selection tool" can also be obtained by downloading the trial version of MR2 free of charge on the "Mitsubishi Electric FA Website".

The "mode selection tool" has no specification limitation.

<http://www.mitsubishielectric.co.jp/fa/products/drv/servo/index.html>

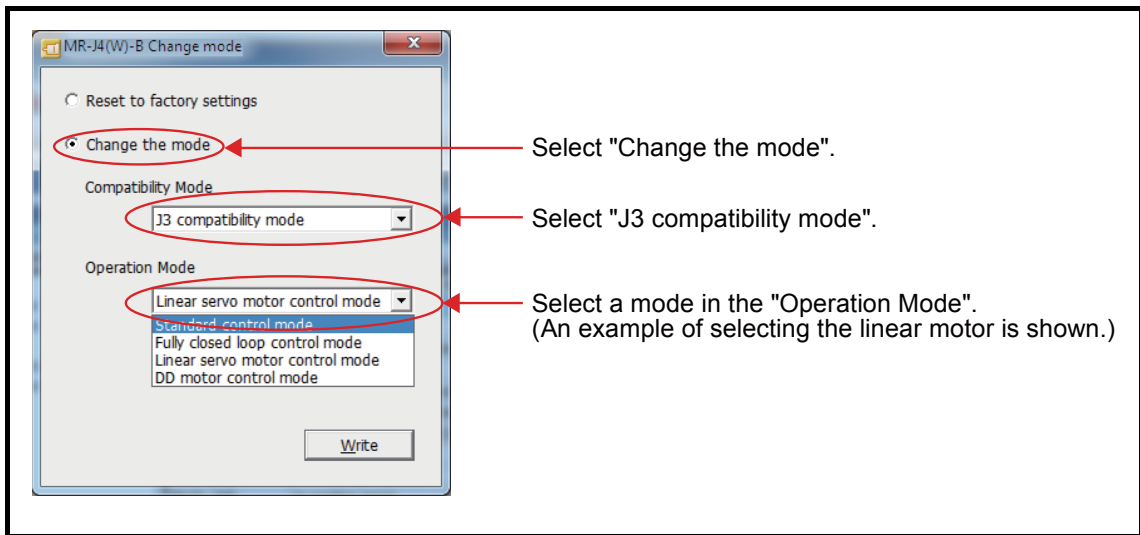


Figure 2. MR-J4(W)-B mode selection tool screen