

AC Servo Sales and Service

Change in the Connector Size for General-Purpose AC Servo

Thank you for your continued patronage of the Mitsubishi Electric general-purpose AC servo. Connectors of AC servo will be changed as follows.

1. Target Model

Servo amplifier: MR-J4-03A6, MR-J4-03A6-RJ, MR-J4W2-0303B6, MR-JE-10C to 300C
 Functional safety unit: MR-D30
 Sensing module: MR-MT2100, MR-MT2010, MR-MT2200, MR-MT2400

2. Reason for the Change

The connector size has been changed by the manufacturer to increase the permissible operating voltage.
 This change does not affect the functions and performance of the target models.

3. Details of the Change

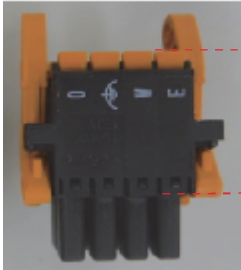
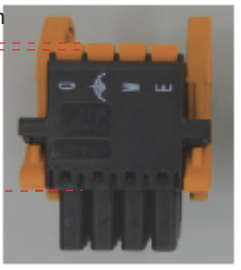


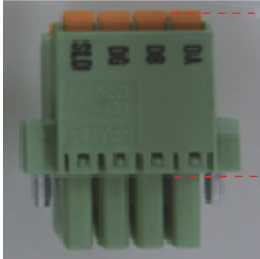
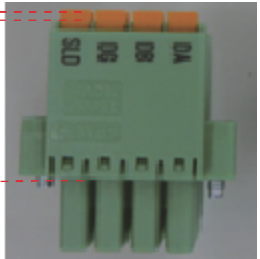
The creepage distance between the connector pins will be changed from 1.6 mm to 3.2 mm or longer. Therefore, the length of the connectors will be increased by 0.7 mm.
 This change does not affect the connector mating area and the standards of servo amplifiers.

Table 1. Target connector

Target model	Connector No.	Target connector
MR-J4-03A6, MR-J4-03A6-RJ	CNP1	DFMC 1,5/ 4-ST-3,5-LR
MR-J4W2-0303B6	CNP1	DFMC 1,5/ 6-ST-3,5-LR
MR-D30	CN10A, CN10B	DFMC 1,5/ 9-STF-3,5
MR-MT2100	CN1	
MR-MT2010	CN2	DFMC 1,5/ 12-STF-3,5
MR-MT2200	CN1, CN2	
MR-MT2100	CN2	DFMC 1,5/ 10-STF-3,5
MR-MT2400	CN1, CN2	DFMC 1,5/ 11-STF-3,5
MR-JE-10C to 300C	CN6	DFMC 1,5/ 4-STF-3,5 2BDSLQ QSO

Date of issue	March 2018	Title	Change in the Connector Size for General-Purpose AC Servo	Mitsubishi Electric Corp., Nagoya Works 1-14, Yada-minami 5-chome, Higashi-ku, Nagoya 461-8670 Tel.: +81 (52) 721-2111 Main line
----------------------	------------	--------------	---	--

Table 2. Change in the connector size

	Before	After
<p>Example 1: DFMC 1,5/ □-ST-3,5-LR The symbol "□" indicates 4 or 6. The photos show the 4-pole connector (for MR-J4-03A6).</p>		 <p>+0.7 mm</p> <p>The height of the lock and release levers will remain the same.</p>
<p>Example 2: DFMC 1,5/ □-STF-3,5 The symbol "□" indicates 9, 10, 11, or 12. The photos show the 9-pole connector (for MR-MT2100/MR-D30).</p>		 <p>+0.7 mm</p>
<p>Example 3: DFMC 1,5/ 4-STF-3,5 2BDSLQ QSO (for MR-JE-□C)</p>		 <p>+0.7 mm</p>

4. Schedule

This change will be made sequentially from the July 2018 production.

Note that, depending on the stock status, both the former and new products may be distributed in the market around the same time.