

Sales and Service

Connector Change for Encoder Cables of Small-Capacity General-Purpose AC Servo Motors

Thank you for your continued patronage of the Mitsubishi Electric AC servo system.
The connectors for encoder cables of small-capacity general-purpose AC servo motors will be changed.

1. Target Model

Encoder cables (junction type for HG-KR/HG-MR/HG-KNS/HG-KN)
MR-J3JSCBL03M-A1-L (load-side lead)
MR-J3JSCBL03M-A2-L (opposite to load-side lead)

2. Reason for the Change

Production discontinuation of the connector and connector commonization with other models

3. Details of the Change

The shape and some materials of the junction connector will be changed (refer to table 1).

For cables and connectors subject to this change, refer to figure 1.

For connector compatibility, refer to figure 2. The new connector can fit the conventional connectors on the encoder side and newly supports the screw type.

This change does not affect the functions and performance of the products.

Table 1. Details of the change

Item	Conventional connector	New connector
Model	CM10-CR10P-M	CMV1-CR10P-M1
Manufacturer	DDK Ltd.	DDK Ltd.
Appearance		

Date of issue	May 2023	Title	Connector Change for Encoder Cables of Small-Capacity General-Purpose AC Servo Motors	Mitsubishi Electric Corp., Nagoya Works 1-14, Yada-minami 5-chome, Higashi-ku, Nagoya 461-8670 Tel.: +81 (52) 721-2111 Main line
----------------------	----------	--------------	---	--

Connecting a Servo Amplifier to a Servo Motor

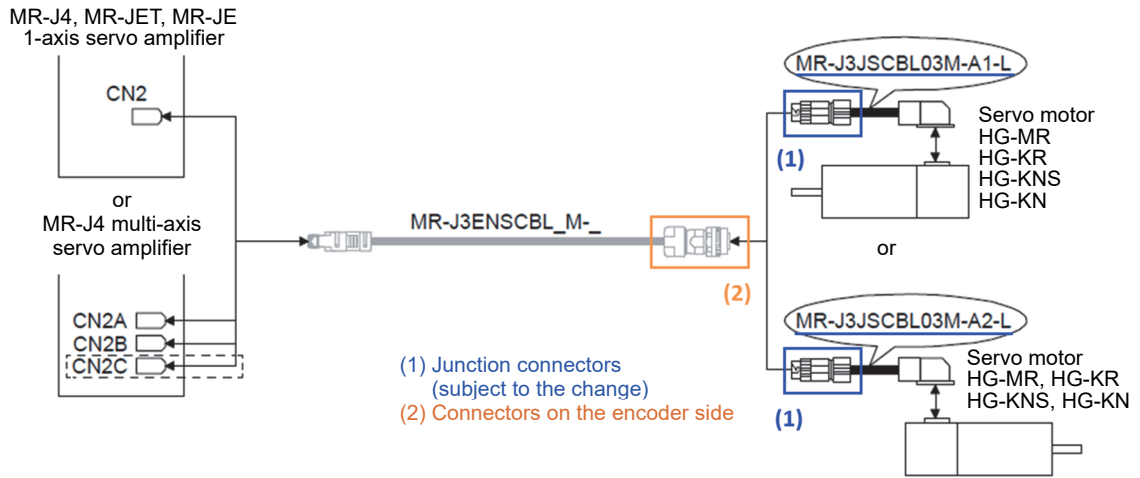


Figure 1. Cable (connector) connections

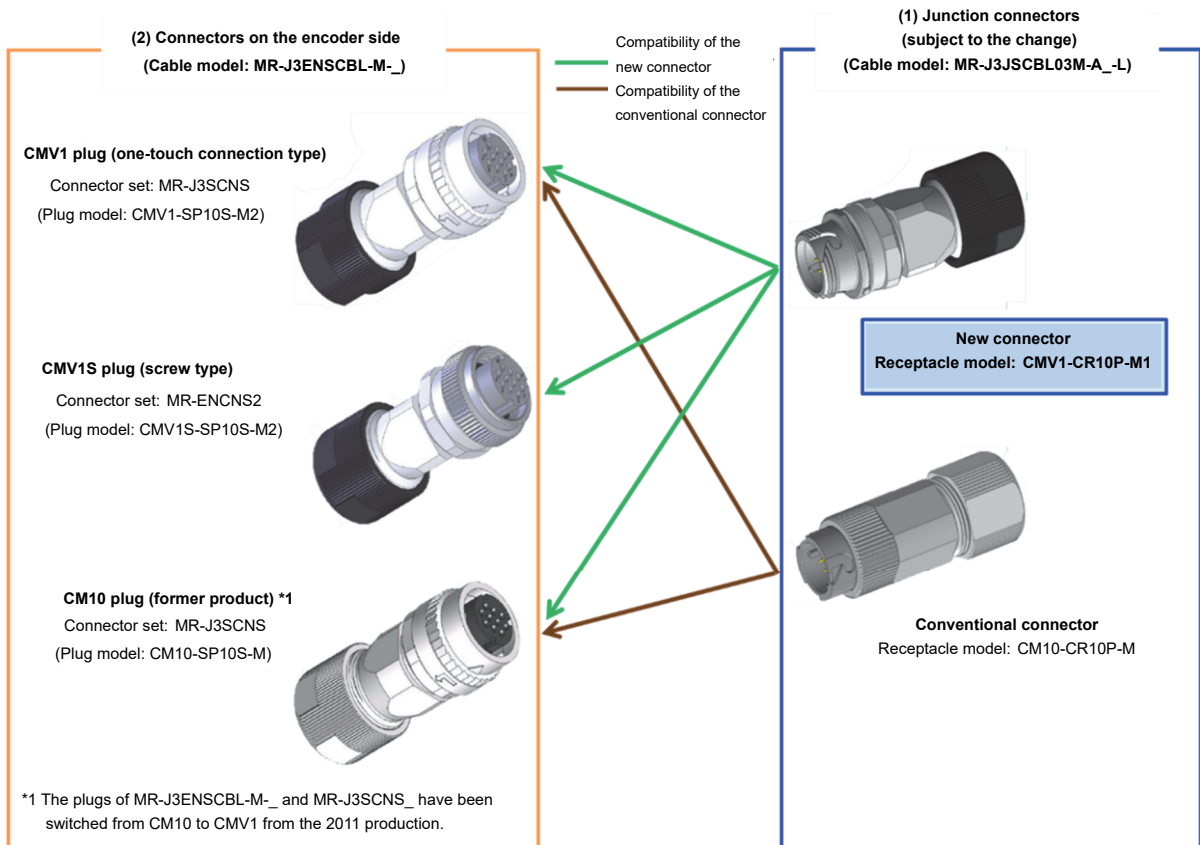


Figure 2. Connector compatibility

4. Schedule

This change will be made sequentially from the May 2023 production.

There may be cases where both the former and new products exist in the distribution stage.