

MITSUBISHI ELECTRIC Sensorless Servo Sales and Service

No. 035E

Auxiliary Plate Change for the Reduction-Gear-Equipped MM-GKR Series Sensorless Servo Motors

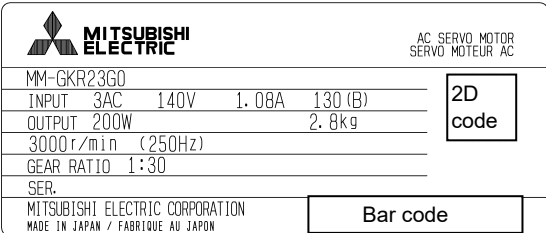
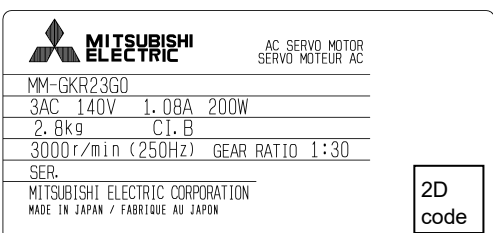
Thank you for your continued patronage of Mitsubishi Electric drive control products.
The auxiliary plate of the reduction-gear-equipped MM-GKR series sensorless servo motors will be changed.

1. Products Affected

MM-GKR13G0(K) (1/5, 1/12, 1/20, 1/30)
MM-GKR23G0(K) (1/5, 1/12, 1/20, 1/30)
MM-GKR43G0(K) (1/5, 1/12, 1/20, 1/30)
MM-GKR73G0(K) (1/5, 1/12, 1/20, 1/30)

2. Details of Change

The auxiliary plate of the product will be changed as shown in the following table.
The change does not affect the quality, performance, or specifications of the products.
(Example) MM-GKR23G0

	Before	After
Appearance (layout)		
Size	Width: 63 mm, height: 27 mm	Width: 56 mm, height: 27 mm
2D code	Provided (without country-of-origin code)	Provided (with country-of-origin code)
Bar code	Provided	Not provided
Insulation class indication	130 (B)	C.I.B

3. Date of Change

The change will be sequentially applied to products manufactured in June 2021 or later.
Products with the conventional and new auxiliary plates may coexist in the distribution stage.

4. Product Identification

The products can be identified visually.

Date of issue	May 2021	Title	Auxiliary Plate Change for the Reduction-Gear-Equipped MM-GKR Series Sensorless Servo Motors	Mitsubishi Electric Corp., Nagoya Works 5-1-14 Yada-minami, Higashi-ku, Nagoya 461-8670 Tel.: +81 (52) 721-2111 Main line
---------------	----------	-------	--	---