

## Replacement of the Lead Clamps for the Powder Clutches/Brakes

**■Date of Issue**

November 2024

**■Relevant Models**

ZA-A series, ZA-Y series, ZKB-HBN series

Thank you for your continued support of Mitsubishi Electric powder clutches/brakes.

We are informing you that the lead clamps used for the following powder clutches/brakes will be replaced with new ones. With this replacement, the sizes of the lead clamps also change.

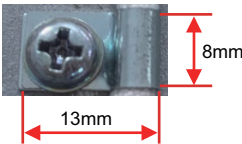
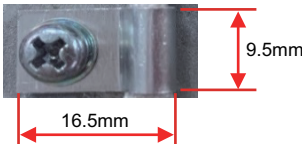
Please note that there is no change in the general specifications, performance specifications, functions, and external dimensions of the products.

### 1 RELEVANT MODELS

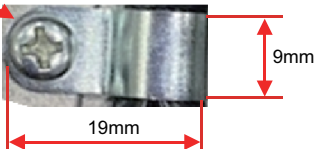
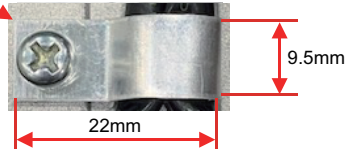
Product	Model
Powder clutch	ZA-0.6A1 ZA-1.2A1 ZA-2.5A1 ZA-5A1 ZA-10A1 ZA-20A1
Powder brake	ZA-0.6Y ZA-1.2Y1 ZA-2.5Y1 ZA-5Y1 ZA-10Y1 ZA-20Y1
Powder brake	ZKB-2.5HBN ZKB-5HBN ZKB-10HBN ZKB-20HBN * Including the special models

## 2 DETAILS ON THE REPLACEMENT

The current lead clamps are replaced as follows.

Relevant model	Item	Before	After
ZA-0.6A1 ZA-1.2A1 ZA-2.5A1 ZA-5A1 ZA-10A1 ZA-20A1 ZA-0.6Y ZA-1.2Y1 ZA-2.5Y1 ZA-5Y1 ZA-10Y1 ZA-20Y1 ZKB-10HBN * Including the special models	Material and surface treatment	Iron and zinc plated	Aluminum
	External dimensions	 <p>Plate thickness: 0.29mm</p>	 <p>Plate thickness: 0.8mm</p>

Note: With the replacement of the lead clamps, the fixing screws are also replaced. For the ZA-2.5A1, the position of the nameplate label is changed.

Relevant model	Item	Before	After
ZKB-2.5HBN ZKB-5HBN ZKB-10HBN ZKB-20HBN * Including the special models	Material and surface treatment	Iron and zinc plated	Aluminum
	External dimensions	<p>Round</p>  <p>Plate thickness: 0.5mm</p>	<p>Angular</p>  <p>Plate thickness: 0.8mm</p>

## 3 REASON FOR THE REPLACEMENT

In response to the discontinuation of the production of the current lead clamps

## 4 CHANGEOVER PERIOD

The replacement will apply to the products to be manufactured in December 2024 and later.

There may be cases where products with the current lead clamps and products with the new lead clamps exist in the distribution stage.

For details, please consult your local Mitsubishi Electric representative.

CT-A-0017-A

---

**REVISIONS**

Version	Date of issue	Revision
A	November 2024	First edition

**TRADEMARKS**

The company names, system names and product names mentioned in this technical bulletin are either registered trademarks or trademarks of their respective companies.

In some cases, trademark symbols such as '™' or '®' are not specified in this technical bulletin.