

[Issue No.] ZD-5016A

[Title] Changes in the display of the corporate logo and country of origin of the ZA type Powder Clutch and Brake

[Date of Issue] August 2017

[Relevant Models] ZA Type Powder Clutch and Brake

Thank you for your continued support of Electromagnetic Clutch and Brake.

We would like to announce the changes in the display of the corporate logo and country of origin of the ZA type Powder Clutch and Brake.

There is no impact on the general specifications, performance specifications, functions, and external dimensions of the ZA type Powder Clutch and Brake due to these changes.

### 1. Object models

#### (1) ZA type powder clutch

Model	Model code
ZA-0.6A1	093511
ZA-1.2A1	093358
ZA-2.5A1	093360
ZA-5A1	093362
ZA-10A1	093392

#### (2) ZA type powder brake

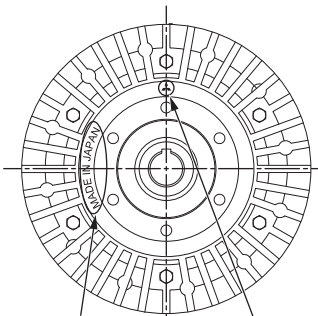
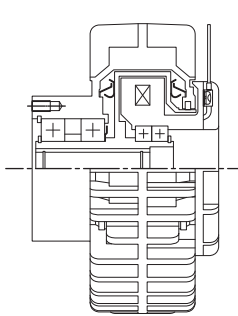
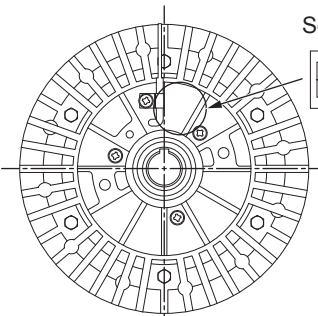
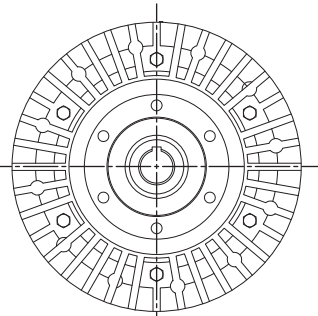
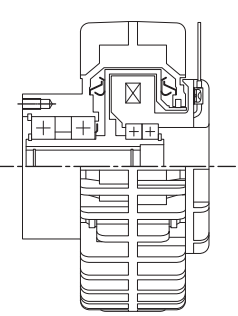
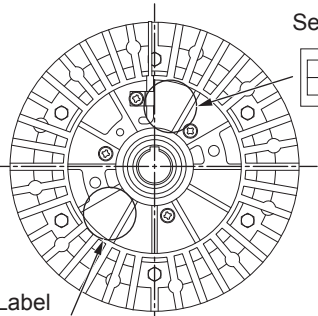
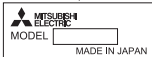
Model	Model code
ZA-0.6Y	093885
ZA-1.2Y1	093359
ZA-2.5Y1	093361
ZA-5Y1	093363
ZA-10Y1	093393

### 2. Reason for the change

Put the display of the corporate logo, country of origin (MADE IN JAPAN), and serial number into the labels.

### 3. Content of the change

#### (1) ZA type powder clutch

Before change			 <p>Serial number</p>
	<p>Country of origin      Three-Diamond mark</p> <p>Three-Diamond mark and the country of origin are displayed in a casted character on a side surface of the main body.</p>		
After change			 <p>Serial number</p> <p>Label</p> 
			<p>The corporate logo and the country of origin are displayed on the label on a side surface of the main body.</p>

**(2) ZA type powder brake**

Before change	
<p>Three-Diamond mark and the country of origin are displayed in a casted character on a side surface of the main body.</p>	
After change	
<p>The corporate logo and the country of origin are displayed on the label on a side surface of the main body. *A label sticking position differs depending on the models.</p>	

**4. Changeover period**

The changes will be applied to the products manufactured in August 2017 and later.  
Depending on stock status, both the old and new products may be distributed in the market around that time.

**Revised History**

Revision	Date	Description
A	August 2017	First Edition