



## **TECHNICAL BULLETIN**

**[ 1 / 5 ]**

[Issue No.] GOT-A-0104-G

[Title] List of CC-Link IE Field Network Basic-compatible Equipment Validated to Operate with the GOT2000 Series for Japanese Market

[Date of Issue] November 2016 (Ver. G: March 2020)

[Relevant Models] GOT2000 Series

---

Thank you for your continued support of Mitsubishi Electric Graphic Operation Terminal (GOT).

This bulletin provides information on CC-Link IE Field Network Basic-compatible equipment validated to operate with the GOT2000 series.

For the production status and specifications of each product, contact the relevant manufacturer.

**Recommended Product**

A product that complies with our standard.  
Make sure that you use the product compliant with the specification (standard).

**Compatible Product**

A product that satisfies the requirements to be interfaced with Mitsubishi Electric products.  
(Note that satisfaction of Mitsubishi Electric specifications is not guaranteed.)  
Therefore, make sure to comply with the specifications for that product when using it together with Mitsubishi Electric products.  
Even when Compatible Products are used, some products may not be compatible with the GOT 2000 series. Because the specifications of the products are changed according to the date of manufacture. When using Compatible Products, examine the products fully and decide whether to use or not.

**Discontinued Product**

A product that has been introduced as Recommended Product or Compatible Product in the bulletin before. We think that you will have difficulty to obtain the product because of production discontinuation and others.

**Incompatible Product**

A product that does not satisfy the requirements to be interfaced with Mitsubishi Electric products.  
Use Compatible Product.

## **Contents**

1. Overview .....	2
2. List of validated CC-Link IE Field Network Basic-compatible equipment .....	2
2.1 Mitsubishi Electric equipment.....	3
2.1.1 Setting method.....	4
3. Precautions .....	4
REVISIONS.....	5

**1. Overview**

The GOT2000 series can communicate with CC-Link IE Field Network Basic-compatible equipment by using an Ethernet communication driver (for CC-Link IE Field Network Basic).

The GOT2000 series operates as a slave station and is connectable to CC-Link IE Field Network Basic-compatible equipment that operates as the master station.

Table 1-1 below shows the status of support for the Ethernet communication driver (for CC-Link IE Field Network Basic) according to the GOT2000 series models.

Table 1-1 Status of support for the communication driver according to the GOT models

Connection type	Communication type	Communication driver	GT27	GT25	GT21	GT SoftGOT2000
CC-Link IE Field Network Basic connection	Ethernet	Ethernet(CC-Link IE Field Network Basic)	Supported	Supported	Supported	Not Supported

For the settings to connect the GOT2000 series to CC-Link IE Field Network Basic-compatible equipment, refer to the following manual.

- GOT2000 Series Connection Manual (Microcomputers, MODBUS/Fieldbus Products, Peripherals) For GT Works3 Version1 (SH-081200ENG)

**2. List of validated CC-Link IE Field Network Basic-compatible equipment**

Table 2-1 below shows CC-Link IE Field Network Basic-compatible equipment validated to operate with the GOT2000 series.

Table 2-1 Validated CC-Link IE Field Network Basic-compatible equipment (Compatible Product)

Manufacturer	Model	Setting method
Mitsubishi Electric Corporation	Refer to Section 2.1.	Refer to Section 2.1.1.

[Issue No.] GOT-A-0104-G

**2.1 Mitsubishi Electric equipment**

Table 2-2 below shows Mitsubishi Electric CC-Link IE Field Network Basic-compatible equipment validated to operate with the GOT2000 series.

Table 2-2 Validated CC-Link IE Field Network Basic-compatible equipment (Recommended Product)

Series name	Model	Communication port	Communication type	Connection cable
MELSEC iQ-R series	R00CPU *6	Ethernet port built in the CPU	Ethernet	*4
	R01CPU *6			
	R02CPU *6			
	R04CPU *1			
	R08CPU *1			
	R16CPU *1			
	R32CPU *1			
	R120CPU *1			
	R04ENCPU *1			
	R08ENCPU *1			
	R16ENCPU *1			
	R32ENCPU *1			
R120ENCPU *1				
C Controller (MELSEC iQ-R series)	R12CCPU-V *5			
MELSEC iQ-F series *2	FX5U	Ethernet port	Ethernet	*4
	FX5UC			
	FX5UJ			
	FX5-ENET *7*8*9			
MELSEC-Q *3	Q03UDVCPU	Ethernet port built in the CPU	Ethernet	*4
	Q04UDVCPU			
	Q06UDVCPU			
	Q13UDVCPU			
	Q26UDVCPU			
	Q04UDPVCPU			
	Q06UDPVCPU			
	Q13UDPVCPU			
Q26UDPVCPU				
MELSEC-L *3	L02CPU	Ethernet port built in the CPU	Ethernet	*4
	L02CPU-P			
	L06CPU			
	L06CPU-P			
	L26CPU			
	L26CPU-P			
	L26CPU			
	L26CPU-P			
	L26CPU-BT			
L26CPU-PBT				
MELIPC	MI5122-VW			

\*1 The firmware version must be 25 or later. Use version 1.030G or later of GX Works3.

\*2 The firmware version must be 1.040 or later. Use version 1.030G or later of GX Works3.

\*3 The serial number must include 18112 or later in the first five digits. Use version 1.555D or later of GX Works2.

\*4 For the connection cable, refer to the following manual.

→ GOT2000 Series Connection Manual (Microcomputers, MODBUS/Fieldbus Products, Peripherals) For GT Works3 Version1 (SH-081200ENG)

\*5 The firmware version must be 8 or later. Use version 1.007H or later of CW Configurator.

\*6 Use version 1.040S or later of GX Works3.

\*7 The firmware version of the FX5U/FX5UC must be 1.110 or later. Use version 1.050C or later of GX Works3.

\*8 FX5-CNV-IFC or FX5-C1PS-5V is required when connected to the FX5UC CPU module.

\*9 Use GX Works3 version 1.060N or later when connecting FX5UJ.

[Issue No.] GOT-A-0104-G

**2.1.1 Setting method**

(1) MELSEC iQ-R series and MELSEC iQ-F series

Set the MELSEC iQ-R series or MELSEC iQ-F series with GX Works3.

For the details, refer to the following manuals.

- MELSEC iQ-R Ethernet User's Manual (Application) (SH-081257ENG)
- MELSEC iQ-F FX5 User's Manual (Ethernet Communication) (JY997D56201)
- MELSEC iQ-F FX5-ENET User's Manual (082026ENG)
- GX Works3 Operating Manual (SH-081215ENG)

(2) MELSEC-Q and MELSEC-L (Ethernet interface module)

Set the MELSEC-Q or MELSEC-L with GX Works2.

For the details, refer to the following manuals.

- Q Corresponding Ethernet Interface Module User's Manual (Basic) (SH-080009)
- MELSEC-L Ethernet Interface Module User's Manual (Basic) (SH-081105ENG)
- GX Works2 Version 1 Operating Manual (Common) (SH-080779ENG)

(3) C Controller (MELSEC iQ-R series)

Set C Controller (MELSEC iQ-R series) with CW Configurator.

For the details, refer to the following manuals.

- MELSEC iQ-R C Controller Module User's Manual (Application) (SH-081369ENG)
- CW Configurator Operating Manual (SH-081382ENG)

(4) MELIPC

Set MELIPC with MI Configurator.

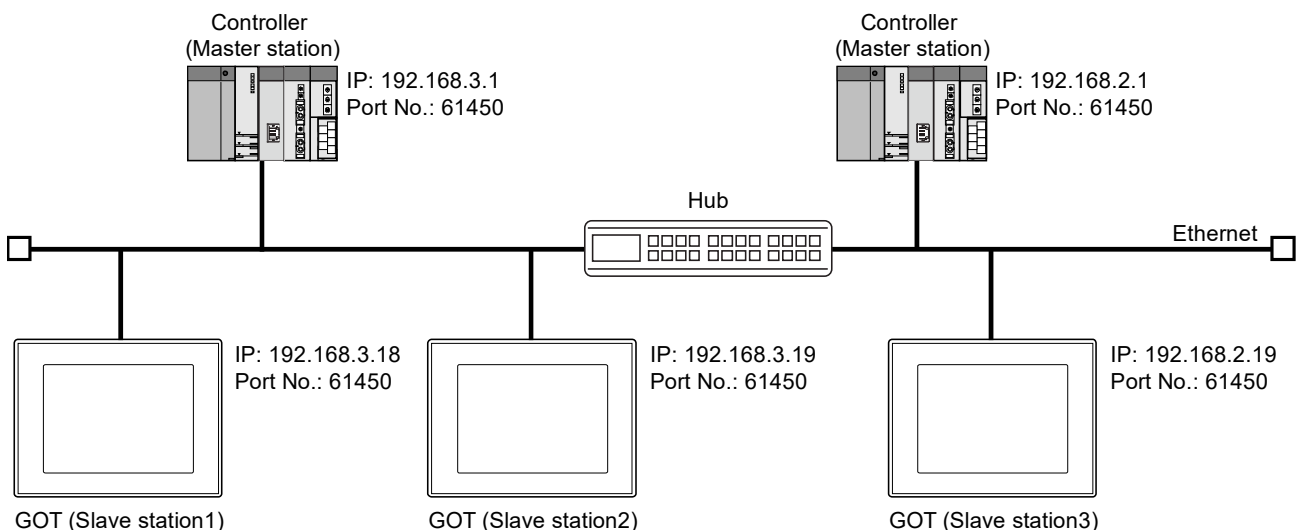
For the details, refer to the following manuals.

- MELIPC MI5000 Series User's Manual (Application) (081932ENG)
- MI Configurator Operating Manual (081938ENG)

**3. Precautions**

For the GOT with version P or earlier of CoreOS, it cannot be used in the system that has multiple networks connected through one hub as shown below.

To use the GOT in the system that has multiple networks connected through one hub, use version 1.170C or later of GT Designer3 and install version P or later of CoreOS to the GOT.



**REVISIONS**

Version	Print Date	Revision
-	November 2016	- First edition
A	February 2017	- "3. Precautions" has been revised.
B	November 2017	- R12CCPU-V is supported.
C	February 2018	- R00CPU, R01CPU, and R02CPU are supported.
D	May 2018	- MELIPC is supported.
E	February 2019	- FX5-ENET is supported.
F	November 2019	- FX5UJ is supported.
G	March 2020	- Connection of FX5UJ using FX5-ENET is supported.