

## TECHNICAL BULLETIN

[ 1 / 2 ]

[Issue No.] GOT-A-0138

[Title] Compatibility Between GT Designer3 (GOT2000) Version and GT2103-PMBD  
Hardware Version

[Date of Issue] May 2019

[Relevant Models] GOT2000 series

Thank you for your continued support of Mitsubishi Electric Graphic Operation Terminal (GOT). We will update the GT2103-PMBD hardware version from B to C. The following describes the GT Designer3 (GOT2000) version compatible with the GOT hardware version C. This change does not affect the general specifications, performance specifications, functions, and external dimensions.

### 1. Models affected

GT2103-PMBD

(GOT2000 series 3.8" GT21 model with built-in Ethernet and RS422/485 interfaces)

### 2. Details of the change

As the liquid crystal display (LCD) for GT2103-PMBD will be discontinued, the LCD will be changed.

The GT2103-PMBD hardware version will be updated from B to C accordingly.

GT Designer3 (GOT2000) versions earlier than 1.215Z are incompatible with the GOT hardware version C. Use GT Designer3 (GOT2000) version 1.215Z or later.

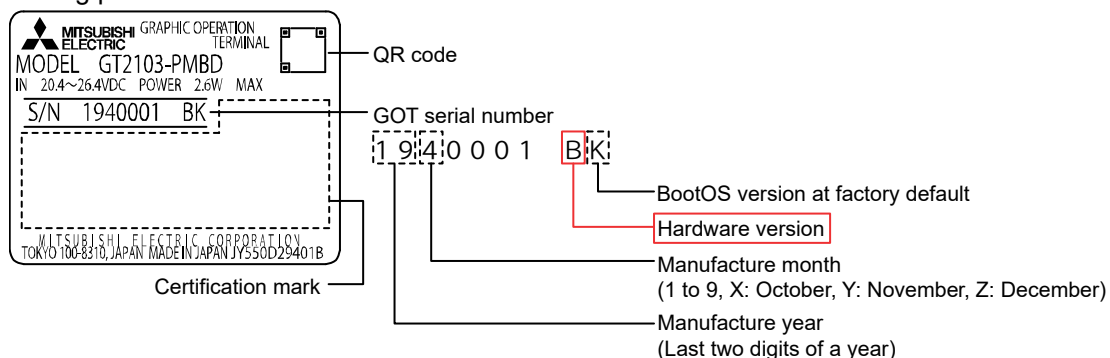
Table 2-1 Compatibility of GT2103-PMBD and GT Designer3 (GOT2000)

○: Compatible ×: Incompatible

| GT Designer3 (GOT2000) version | GT2103-PMBD hardware version |            |
|--------------------------------|------------------------------|------------|
|                                | B or earlier                 | C or later |
| Earlier than 1.215Z            | ○                            | ×          |
| 1.215Z or later                | ○                            | ○          |

### ■1. Rating plate on the GOT rear face

Check the rating plate on the GOT for its hardware version.



### 3. Schedule

The GT2103-PMBD hardware version will change from B to C from the July 2019 production.

There may be cases where both products with hardware version B and C exist in the distribution stage.

**REVISIONS**

| Version | Print Date | Revision        |
|---------|------------|-----------------|
| -       | May 2019   | - First edition |