

[Issue No.] T10-0017

[Page] 1/2

[Title] Notice of improved operability of the GOT-A900 Series
when inserting and removing the PC card

[Relevant Models] A975GOT, A970GOT, A960GOT

Thank you for your generous patronage of Mitsubishi's MELSEC-GOT Series Graphic Operation Terminal.

The rear case of the GOT-A900 Series has been improved so that less space is necessary for inserting and removing the PC card.

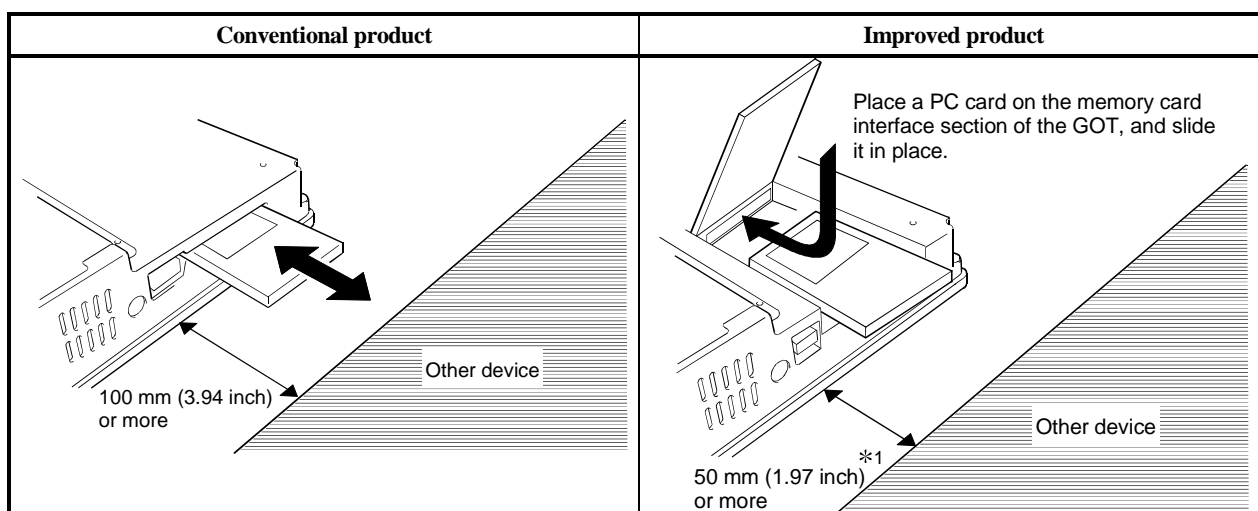
Whereas

(1) Differences from conventional products

(a) About inserting and removing the PC card

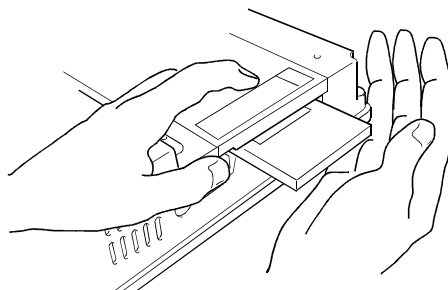
You can now open the cover of the memory card interface on the GOT with improved structure, as shown below (hereinafter referred to as the improved product).

This new design reduces the space for inserting and removing the PC card by 50 mm (1.97 inch) as compared with conventional products.



*1 If a communication module is mounted on the GOT, you cannot open the cover of the memory card interface. It is thus necessary to place the GOT at least 100 mm (3.94 inch) away from other devices, in the same manner for conventional products.

*2 The PC card may pop out when it is removed, depending on the type of the PC card used. Be sure to support the card with your hand when removing it.



MITSUBISHI ELECTRIC CORPORATION

HEAD OFFICE MITSUBISHI DENKI BLDG. MARUNOUCHI. TOKYO 100-0005. TELEX J24532 CABLE MELCO TOKYO

TECHNICAL BULLETIN

[Issue No.] T10-0017

[Page] 2/2

[Title] Notice of improved operability of the GOT-A900 Series
when inserting and removing the PC card

[Relevant Models] A975GOT, A970GOT, A960GOT

(b) About the protective ground terminal

The material of the rear case of the improved product has been changed from the conventional magnesium alloy to a non-conductive mold material (resin). It is thus not necessary to wire to a protective ground terminal (the improved product does not have a protective ground terminal).

Accordingly, the heat dissipation slit has been widened as compared with conventional products (the slit width has been changed from 3 mm (0.12 inch) to 3.5 mm (0.14 inch)).

(2) Applicable models

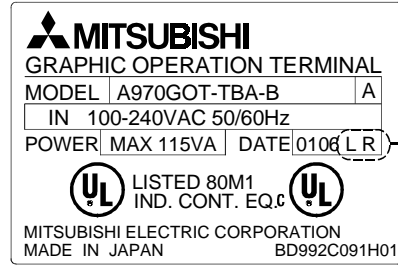
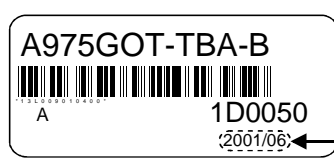
The structure of the following hardware version products has been changed.

Item	Type	Hardware version
A975GOT	A975GOT-TBA-B	Version L (Jun., 2001) or later
	A975GOT-TBD-B	
	A975GOT-TBA	
	A975GOT-TBD	
A970GOT	A970GOT-TBA-B	
	A970GOT-TBD-B	
	A970GOT-TBA	
	A970GOT-TBD	
	A970GOT-SBA	
	A970GOT-SBD	
	A970GOT-LBA	
	A970GOT-LBD	
A960GOT	A960GOT-EBA	Version H (Jun., 2001) or later
	A960GOT-EBD	

The hardware version can be checked on the rating plate of the product.

The improved product can also be identified by the date on the packing box label.

(Improved products have been shipped since June 2001.)

Rating plate	Packing box label
 <p style="text-align: center;">Rating plate</p>	 <p style="text-align: center;">2001/06 Year Month</p>



MITSUBISHI ELECTRIC CORPORATION

HEAD OFFICE MITSUBISHI DENKI BLDG. MARUNOUCHI. TOKYO 100-0005. TELEX J24532 CABLE MELCO TOKYO