

Precautions to acquire the Type Approval Certificate for each ship classification in ABS, BV, DNV GL, LR, NK, RINA

■Date of Issue

May 2015 (Ver.C: June 2018)

■Relevant Models

MELSEC iQ-R series

Thank you for your continued support of Mitsubishi Electric programmable controllers, MELSEC iQ-R series.

The following describes the details on precautions for using MELSEC iQ-R series as the system that the classification societies have approved.

For the models, numbers, and expiration dates that each classification society has approved, please consult your local Mitsubishi representative.

1 Classification societies that issue the Type Approval Certificates

MELSEC iQ-R series have acquired the Type Approval Certificates from the following classification societies.

- American Bureau of Shipping (Abbreviation: ABS)
- Bureau Veritas (Abbreviation: BV)
- DNV GL (Abbreviation: DNV GL)
- Lloyd's Register of Shipping (Abbreviation: LR)
- Nippon Kaiji Kyokai (Abbreviation: NK)
- Registro Italiano Navale (Abbreviation: RINA)

2 Precautions

This section describes the details on precautions for using MELSEC iQ-R series as the approved system.

Base unit installation

Fix a base unit to a control panel at the four corners with screws.

Network system

For a CC-Link system, only master/local devices have acquired the Type Approval Certificates from the classification societies.



When using remote I/O devices as the approved system, use them on CC-Link IE Field Network.

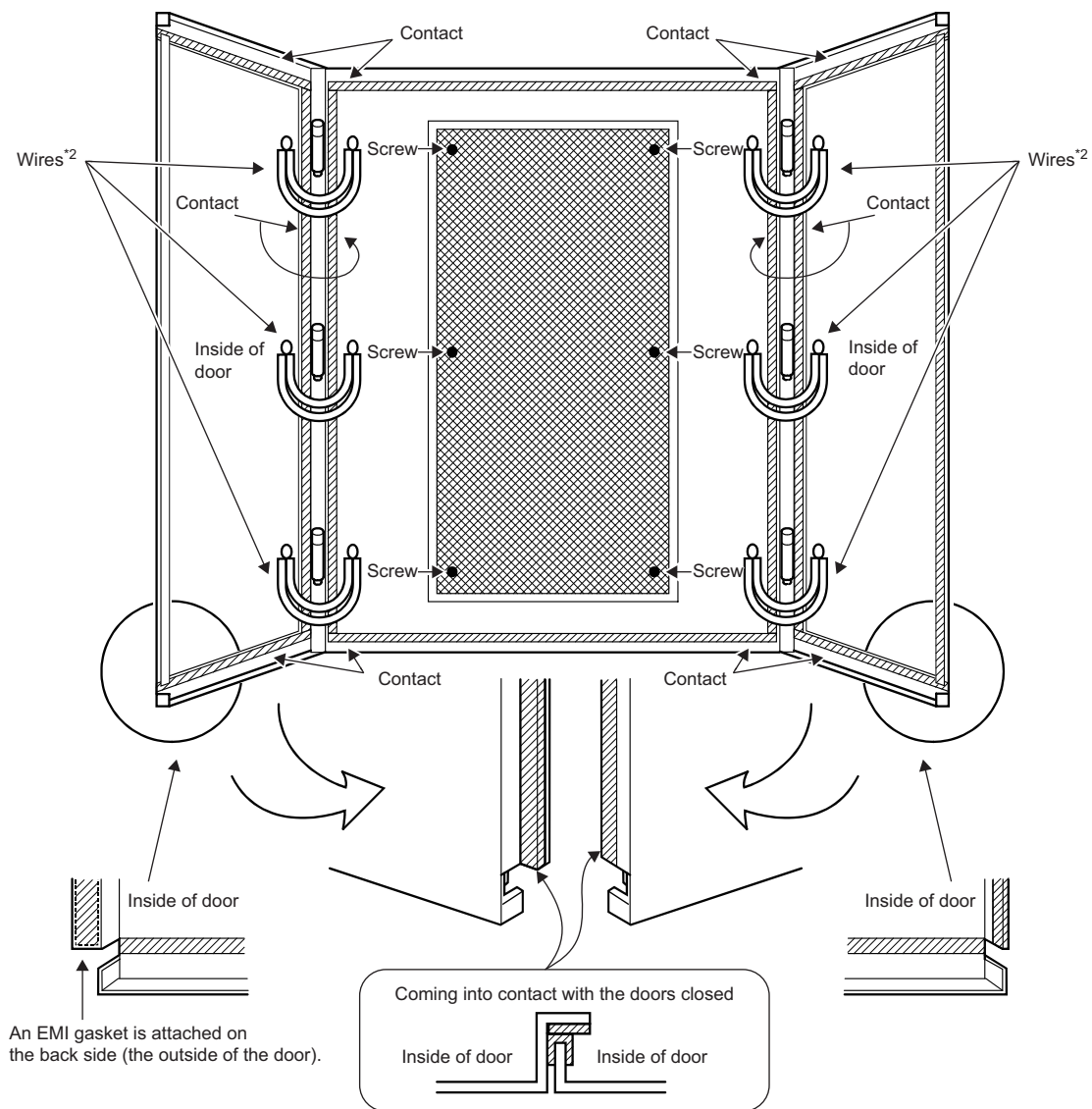
Control panel

- The control panel must be conductive.
- When fixing a top or bottom plate of the control panel with bolts, remove the protective coating from both the plate and bolt surfaces to ensure that they come into electric contact.
- When using an inner plate, ensure electric contact with the control panel. For instance, galvanize an inner plate at a thickness of 10 μ m or more. (☞ Page 3 Example of the control panel inside) In addition, remove the coating of the fixing bolt area of both the inner plate and control panel to ensure conductivity in the largest possible area.
- Ground the control panel with a thick ground cable (cross-sectional area: 2mm² or more).
- To suppress the leakage of radio waves, the control panel must have the structure where the clearance gaps are reduced as much as possible. Ensure that the space between the control panel and its doors is as small as possible by attaching EMI gaskets between them. Also, the diameter of the cable hole must be 10cm or less.
- To ensure the electric contact between the control panel and its doors, remove the coating of the contact areas, attach EMI gaskets, and connect the panel and the doors with thick wires. (☞ Page 3 Example of the control panel inside)

FA-A-0188-C

■ Example of the control panel inside


-  Shows an inner plate (galvanized at a thickness of 10µm or more). The inner plate is fixed to the control panel with screws for conductivity.
-  Shows EMI gaskets*1.




*1 Do not apply coating to the parts where EMI gaskets are to be attached. Use electrically conductive adhesive tape to attach EMI gaskets.

*2 These wires are used to strengthen conductivity between the doors and control panel.

Cable

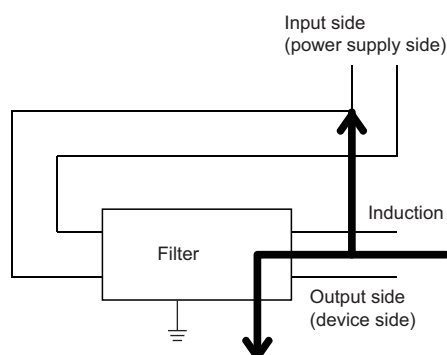
Use a shielded cable for a cable coming out of the control panel and attach a cable clamp fitting because the cable releases noise by functioning like an antenna. ( Page 5 Example of a noise filter and a ferrite core set inside the control panel)

Noise filter

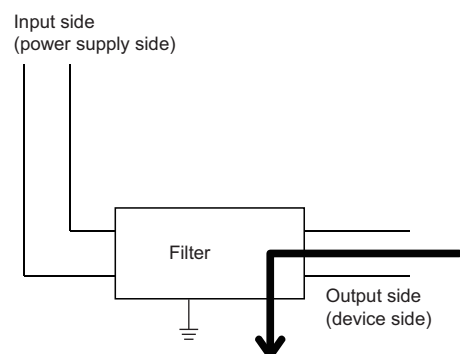
Make sure to attach a noise filter to the power cable. ( Page 5 Example of a noise filter and a ferrite core set inside the control panel)

Use the HF3010C-SZA noise filter (manufactured by SOSHIN ELECTRIC CO., LTD.) or the equivalent.

- Do not bundle the cables on the input side and output side of the noise filter. If bundled, the output side noise will be induced into the input side cables from which the noise was filtered.



- Defect example
When input wiring and output wiring are bundled, noise is induced.




- Improvement example
Carry out cable laying taking the distance between input wiring and output wiring.

- Connect the noise filter's ground terminal to the control panel with the shortest possible cable (approx. 10cm).

Ferrite core

Twist a power cable (including a grounding cable).

Attach a ferrite core to the twisted power cable.


Using the ZCAT3035-1330 (manufactured by TDK Corporation) for a ferrite core is recommended. ( Page 5 Example of a noise filter and a ferrite core set inside the control panel)

Equipment maintenance

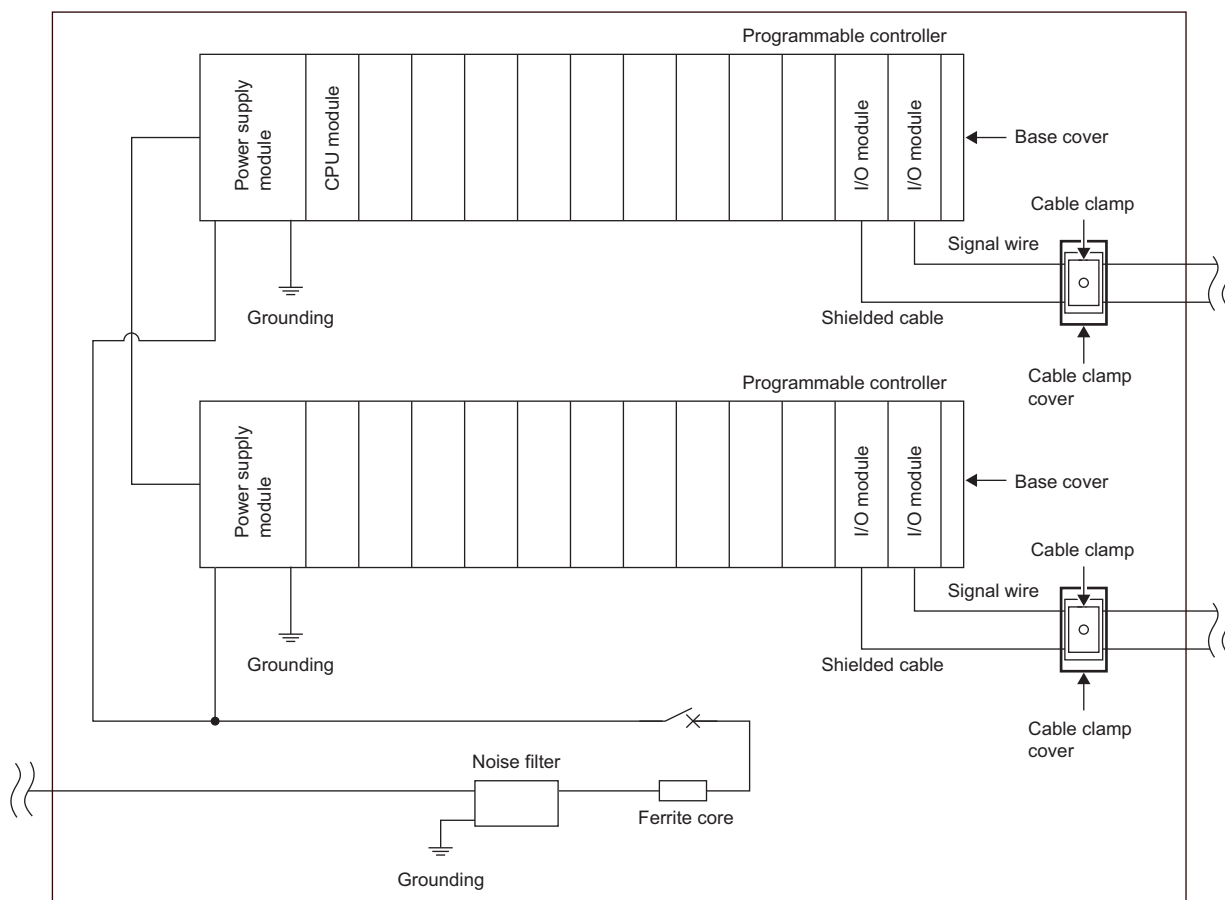
To use the MELSEC iQ-R series, maintenance and inspection must be performed by a maintenance worker.

The maintenance worker here refers to a person who has taken appropriate education and training, has work experience, can recognize hazards in operation and avoid them.

Cable clamp fitting, right side of a base unit

Attach a ship classification compliant cable clamp cover (AD75CK-CV) to a cable clamp fitting, and a ship classification compliant base cover (R35B-CV1) to the right side of a base unit (excluding an RQ extension base unit). ( Page 5 Example of a noise filter and a ferrite core set inside the control panel)

Example of a noise filter and a ferrite core set inside the control panel



Warming up

Warming up (for about 15 minutes) is necessary before operating temperature control modules which use a temperature sensor such as thermocouple and RTD.

REVISIONS

Version	Date of issue	Revision
—	May 2015	First edition
A	October 2015	Addition of RINA and GL to "1 Classification societies that issue the Type Approval Certificates"
B	April 2016	Change of the noise filter due to the production discontinuation of the SF1252 manufactured by ROXBURGH ELECTRONICS LTD
C	June 2018	Change in the title of this bulletin and description in "1 Classification societies that issue the Type Approval Certificates" due to the amalgamation of classification societies