

TECHNICAL BULLETIN

[Issue No.] T05-0005

[Page] 1/2

[Title] Leakage Current at CC-Link Compact Remote Output Module OFF, and Measures on Load Side

[Date of Issue] Nov. '98

[Relevant Models] AJ65SBTB1-16T, AJ65SBTB1-32T, AJ65SBTC1-32DT, AJ65SBTC1-32DT1, AJ65SBTC1-32T, AJ65SBTB1-8T, AJ65SBTC4-16DT

Thank you for your continued patronage of the Mitsubishi general-purpose PLC MELSEC-A Series.

The following phenomenon could occur in the CC-Link compact remote transistor output module depending on the working load specifications.

Whereas

[Details]

1. Output module specifications and leakage current at OFF specifications value

24VDC 0.5A Leakage current at OFF: 0.25mA

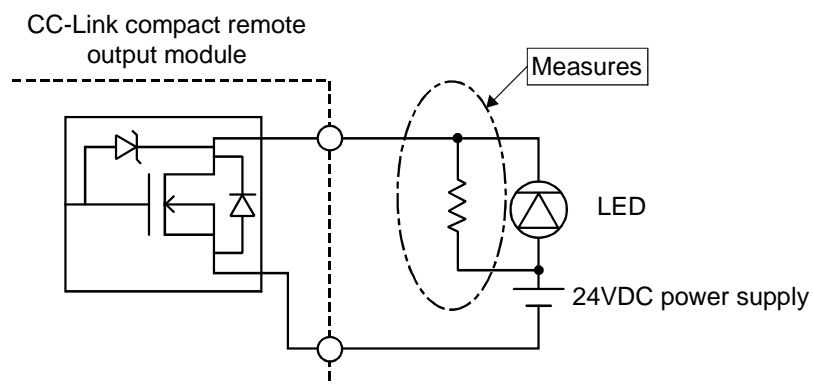
* As this is the protective function built-in MOS FET transistor output, the above leakage current at OFF specifications value is achieved.

Take special care to the following phenomenon when driving light loads.

2. Phenomenon and measures

(1) When an LED is connected as the load, the LED could dimly light (dark lighting) when the output module is OFF.

Example) Izumi Denki push-button with LED: ALFN22211DNR



Measures: Connect a 5 to 50kΩ resistor in parallel with the load LED.

TECHNICAL BULLETIN

[Issue No.] T05-0005

[Page] 2/2

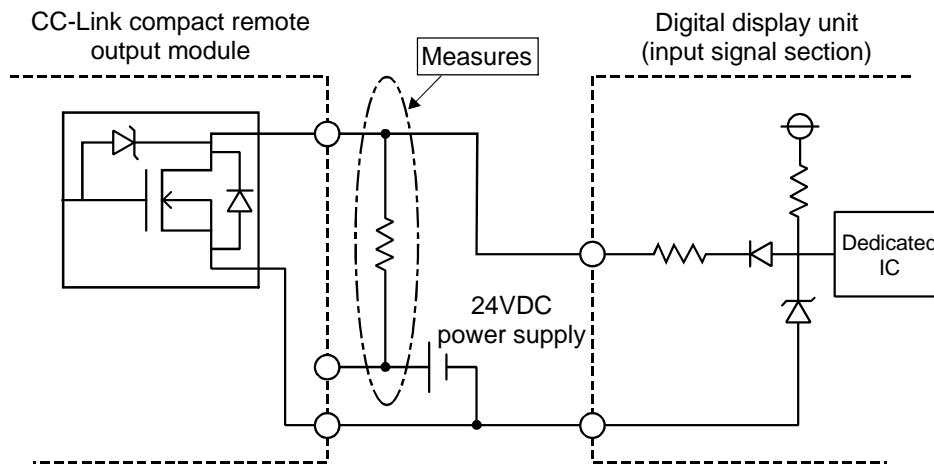
[Title] Leakage Current at CC-Link Compact Remote Output Module OFF, and Measures on Load Side

[Date of Issue] Nov. '98

[Relevant Models] AJ65SBTB1-16T, AJ65SBTB1-32T, AJ65SBTC1-32DT, AJ65SBTC1-32DT1, AJ65SBTC1-32T, AJ65SBTB1-8T, AJ65SBTC4-16DT

(2) When a 7-segment LED display is connected as the load, the display may not be correct.

Example) OMRON M7E digital display unit (14mm□ dimensions): M7E-01DRN2



Measures: Insert a 5 to 50kΩ pull-up resistor between the 24VDC power supply and output module's output.